

# TABLES

---

## GUIDE



**NORIX**



# MOLDED BASE

	EVVOLVE	EVVOLVE JR.	FORTE CAFE	JUPITER	X-BASE (Molded Base)	DOUBLE PEDESTAL
<b>Weight</b>	74-106 lbs	73-76 lbs	89-112 lbs	68-103 lbs	97-118 lbs	180-196 lbs
<b>Top Options</b>	36" RD & SQ 42" RD & SQ 48" Round	36" RD & SQ	36" RD & SQ 42" RD & SQ 48" Round	36" RD & SQ 42" RD & SQ 48" Round	36" Square 42" RD & SQ 48" Round	36" x 96"
<b>Static Load</b>	1,000 lbs	1,000 lbs	1,000 lbs	1,000 lbs	1,000 lbs	1,000 lbs
<b>Warranty</b>	Limited 10 Year	Limited 10 Year	Limited 10 Year	Limited 10 Year	Limited 10 Year	Limited 10 Year
<b>Ballastable</b>	●	●	●	●	●	●
<b>DuoForm Top</b>	●	●	●	●	●	—
<b>Bolt-Down</b>	●	●	—	—	●	●
<b>Glides</b>	Molded-In	Molded-In	Non-Removable	Molded-In	Molded-In	Molded-In
<b>Contraband Resistant</b>	●	●	●	●	●	●
<b>ADA Compliant</b>	—	—	—	—	—	●
<b>GREENGUARD Gold</b>	●	●	●	●	●	●





# METAL BASE

	LEG STYLE	MULTI-PURPOSE	MAX-MASTER	OASIS
<b>Weight</b>	107-190 lbs	53-91 lbs	183-375 lbs	220-280 lbs.
<b>Top Options</b>	36" SQ 30" x 72" 42" SQ 30" x 96" 48" RD	18" x 60" 24" x 60" 30" x 60" 36" RD & SQ 42" RD & SQ	30" x 72" 30" x 96" 42" RD 54" RD 60" RD	30" x 48" 30" x 72"
<b>Static Load</b>	1,000 lbs	500 lbs	1,000 lbs	1,000 lbs
<b>Warranty</b>	Limited 10 Year	Limited 10 Year	Limited 10 Year	Limited 10 Year
<b>Ballastable</b>	—	—	—	—
<b>DuoForm Top</b>	—	—	—	—
<b>Bolt-Down</b>	●	—	●	●
<b>Glides</b>	Non-Removable	Non-Removable	Non-Removable	Non-Removable
<b>Contraband Resistant</b>	Compliant	Compliant	Compliant	Compliant
<b>ADA Compliant</b>	●	—	● <sup>3*</sup>	● <sup>3*</sup>
<b>GREENGUARD Gold</b>	●	●	●	●



1. Optional ballast plate.  
 2. Molded in glides.  
 3. ADA compliant option

# SIDE TABLES



	TABLA	TORO	FORTE OCCASIONAL	B-SIDE	FLUX
<b>Weight</b>	Varies by Seat	Arm: 34 lbs Armless: 30 lbs	42 lbs	50 lbs	18 lbs
<b>Static Load</b>	750 lbs	1,000 lbs	750 lbs	750 lbs	750 lbs
<b>Warranty</b>	10 Year	Lifetime	10 Year	Lifetime	Lifetime
<b>Ballastable</b>	● <sup>1*</sup>	●	●	●	●
<b>Ganging</b>	—	—	●	—	—
<b>Bolt-Down</b>	●	●	●	●	●
<b>Glides</b>	Adjustable Removable	Non-Removable	Non-Removable	Molded-In	Molded-In
<b>TB133</b>	Compliant	Compliant	Available	Available	Available
<b>GREENGUARD Gold</b>	●	●	●	●	●
<b>Recyclable</b>	●	●	● <sup>3*</sup>	●	●
<b>Ligature Resistant</b>	—	—	—	—	—



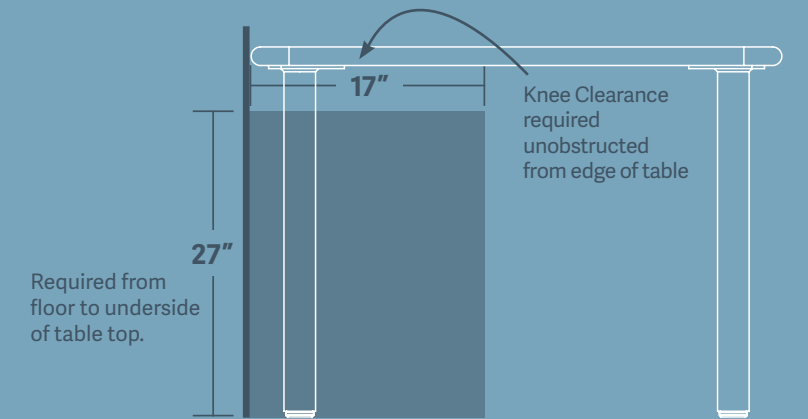
1. Ballasting available on Molded Plinth base only.  
2. Optional ballast plate.

3. Bases only are recyclable.  
4. Molded in glides.

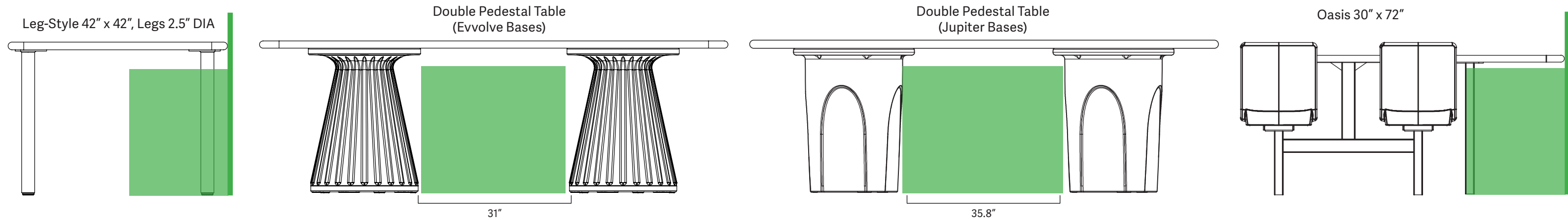
# ADA COMPLIANCE

Accessibility Standards require a space of 30"W X 27"H X 17"D to be unobstructed for the wheelchair user. Pedestal base tables are not ADA compliant specifically due to the 17"D clearance rule.

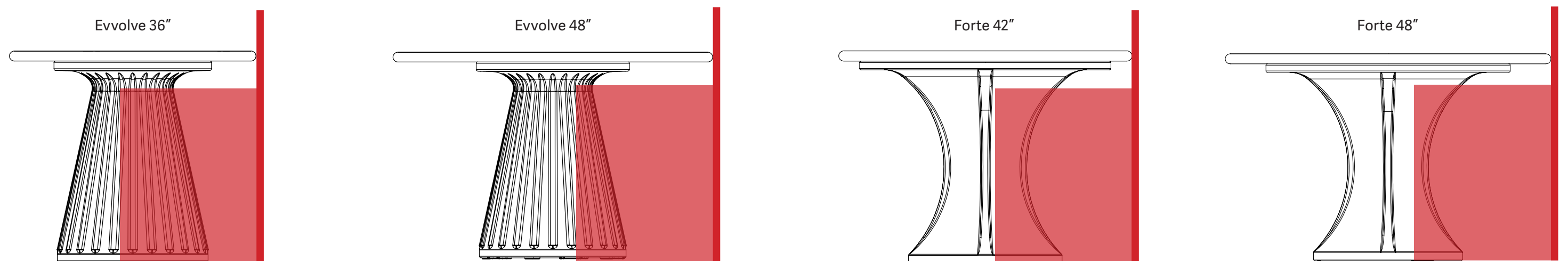
The box on the right side represents a side view of the 27"H and 17"D dimension requirements. No matter the table top size, no single pedestal base passes the 17"D requirement. Norix's smallest ADA compliant table is the 42" X 42" Square Leg-Style table .



## COMPLIANT TABLES OPTIONS



## NON COMPLIANT TABLES OPTIONS



**Regulatory Notice:** While these guidelines reflect commonly referenced ADA dimensional standards for correctional environments, local building codes and accessibility regulations may vary. Customers are responsible for verifying all applicable requirements with their local municipality, authority having jurisdiction (AHJ), or project accessibility consultant prior to specification and installation.

# NORIX

One Innovation Drive, West Chicago, Illinois 60185  
Phone: 630-231-1331 | Toll Free: 800-234-4900 | Fax: 630-231-4343  
4/26 | furniture@norix.com ©2026 Norix Group, Inc.

**NORIX.COM**



*\*Individual attributes vary by product. See specification sheet for details.*