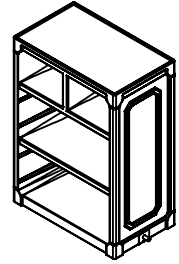




Arcadian Open Chest Assembly Instructions

Model Number ARC700



www.norix.com • TEL 800 234-4900

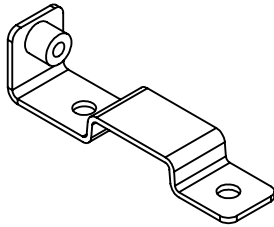
Assembly Notes: Norix is not responsible for any damage due to improper installation. If your shipment does not match the parts list, please contact Norix Customer Service at 800-234-4900. Norix reserves the right to modify design specifications at any time without an obligation to owners of previously sold products.

Important Note: For a successful installation, careful and accurate layout of the anchor brackets is a must. Read through the instructions first and familiarize yourself with all of the steps. If you have any questions, please call Norix Customer Care before proceeding. Norix is not responsible for damage to components due to improper installation.

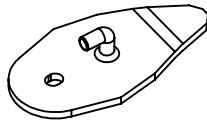
Tools Needed
Low RPM Variable Speed Drill
Hammer Drill
5/16" or 3/8" masonry drill bit
Pin-in-Torx® Driver Bit T-40 (provided)
5/8" Drill Bit (provided)

Security Caulk is highly recommended to help seal gaps and secure the furniture in place. Apply caulk to clean surfaces.

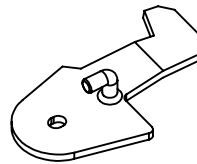
Anchor hardware: Please familiarize yourself with the anchoring components as shown below. If any components are missing, contact Norix Customer Care before proceeding.



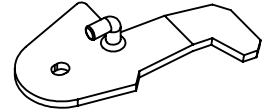
Floor Anchor Bracket (2)
011-058



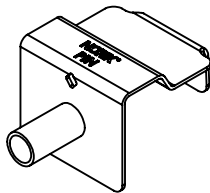
Anchor Tab, Straight (2)
011-059



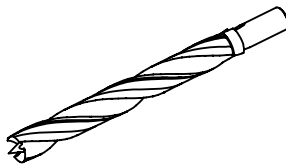
Anchor Hook, Left (1)
011-067



Anchor Hook, Right (1)
011-068



Drill Guide, Pin (1)
011-063



5/8" Drill Bit (1)
029-944



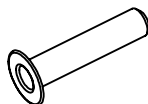
Shim (4)
060-197



Screw, 5/16-18 X 5/8" L, BH (2)
021-118



Concrete Anchor,
5/16" X 2" L (4)
024-024
OR
3/8" X 2-1/4" L (4)
024-025



Guide Tube (2)
029-941



Pin in Torx Drill Bit
071-002



Anchoring Screw (2)
021-212

The procedure for a **corner installation** is different from a **mid-wall installation**. These will be shown separately. See page 6 for corner Installation.

Mid-wall installation:

Note: In a mid-wall installation, the Left and Right Anchor Hooks will not be used. Both Ball Lock Pins and Guide Tubes **will** be used.

1. **Marking the Location**

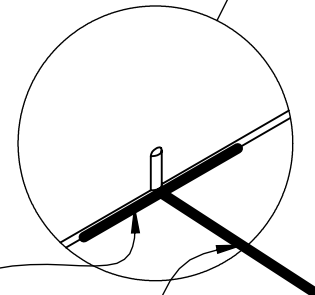
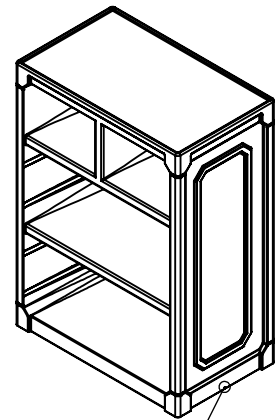
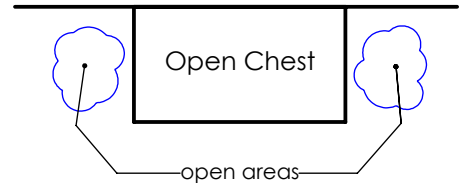
Place the Open Chest on the floor in an upright position in the location where it is to be installed.

2. Mark a line on the floor along the **sides** of the Open Chest, toward the center.

3. Locate the molded line at the center of each side, and mark the floor at this location, perpendicular to the first line. When finished marking, you will have what looks like a letter "T" on each side.

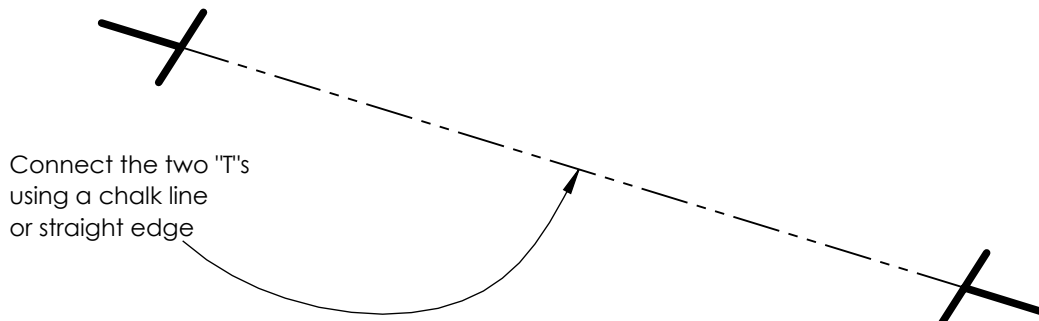
4. Move the Open Chest aside.

5. Using a straight edge or chalk line, mark a line down the center, by connecting the bases of the two "T"s that were drawn in step 3.



First line to draw

Second line to draw



6. Carefully measure 3" inward from the first line and mark a second line. Repeat on the other side.

7. Place Floor Anchor Bracket with holes centered on centerline as shown, and vertical face aligned with the line as shown.

Mark (2) holes on floor for Concrete Wedge Anchors.

Repeat on the other side. When (4) drilling locations have been marked on the floor, set Brackets aside.

8. **Install Floor Anchors and Brackets**

If floor anchors other than the provided Concrete Wedge Anchors are to be used, consult the manufacturer for proper installation.

If the provided Concrete Wedge Anchors are to be used, drill (4) 5/16" dia. holes a minimum of 1" deep into the floor at the locations where previously marked.

Vacuum debris from the holes.

Place the (2) Brackets back into their locations as shown and install the Concrete Wedge Anchors, securing the Hex Nuts tightly to the Brackets. Ensure that the brackets are still aligned with the centerline and the vertical face is still aligned with the 3" mark. Make adjustments if necessary. **It is critical that these brackets are installed in line and in the correct position.** The provided Shims can be used to help level the brackets.

9. **Drill Holes and Install Brackets Onto Open Chest**

To drill the holes and install brackets, it is easiest if the Chest is inverted. Place padding on the floor to protect the Chest from scratches.

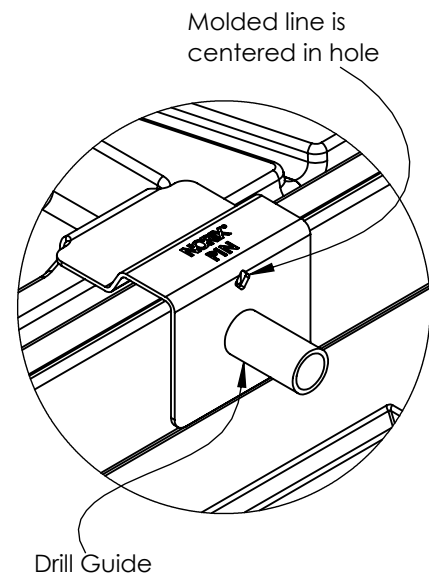
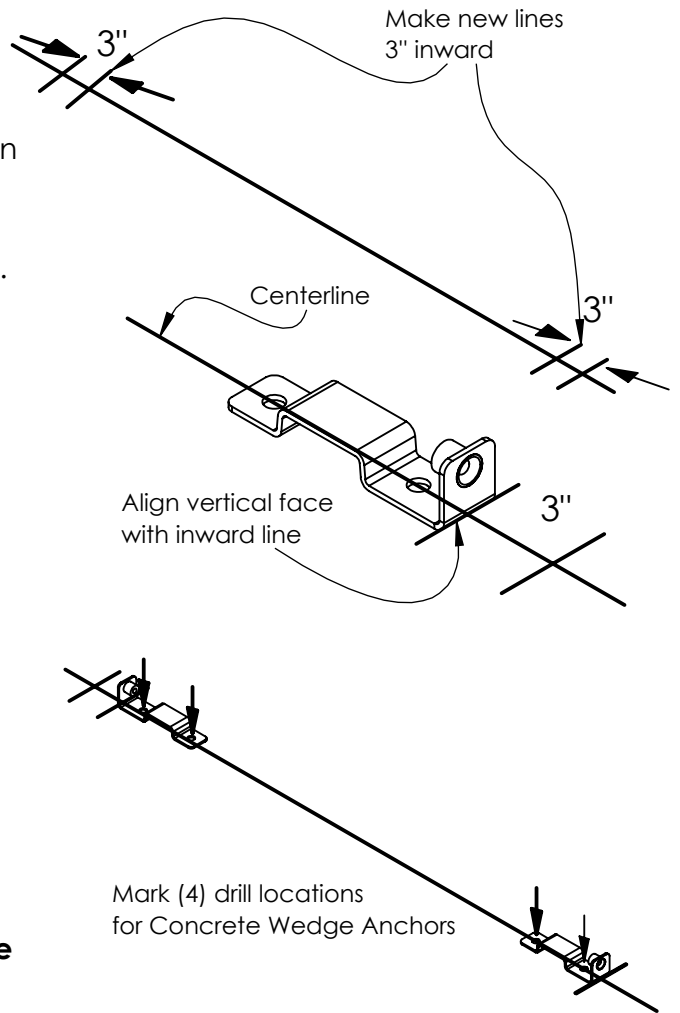
Wear protective gloves when drilling holes, in case of an accidental slip.

Place the Drill Guide on the Open Chest so that the molded line is centered in the diamond shaped hole in the Drill Guide as shown. The Drill Guide may be held by hand, or clamped in place with a padded C-clamp if necessary.

It is important to drill the holes accurately in the correct position, centered and in line with the molded line.

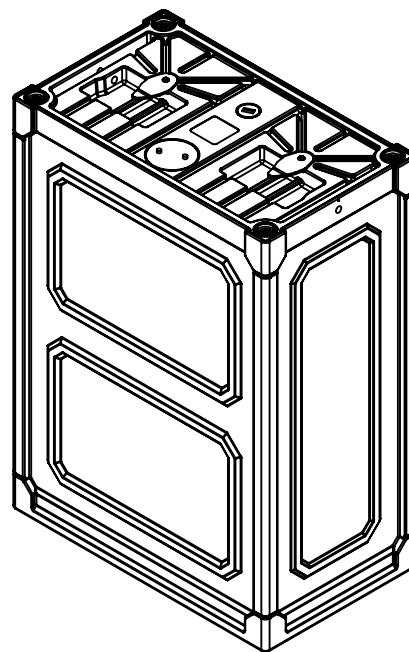
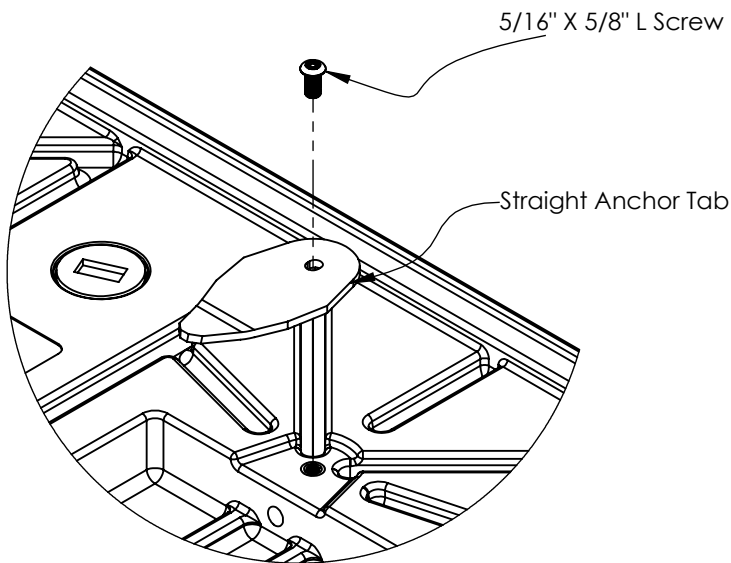
Using the provided 5/8" brad-point drill bit, drill through the Chest. Drill carefully, and don't force the bit. The Guide will help drill a hole that is **perpendicular** to the outer face of the Chest.

Repeat drilling a hole on the other side.



10. **Install Anchor Tabs on the Open Chest**

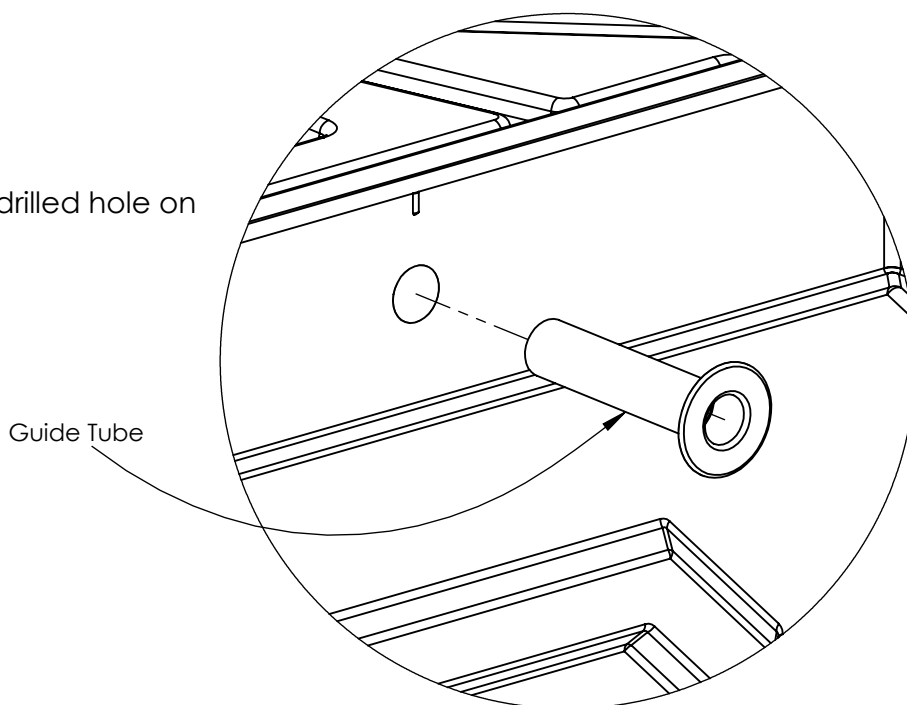
Install (2) Straight Anchor Tabs where shown, using (2) 5/16" Screws.



Ensure that the hook on the Anchor Tab is properly nested inside the hole molded into the Nightstand.

11. **Install Guide Tube**

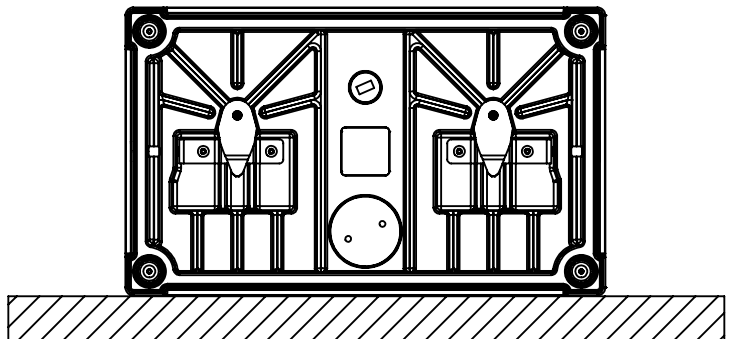
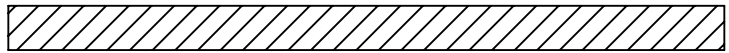
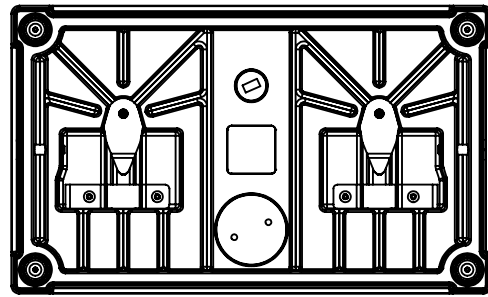
Insert the Guide Tubes into the drilled hole on each side.



12. **Set Open Chest in Place**

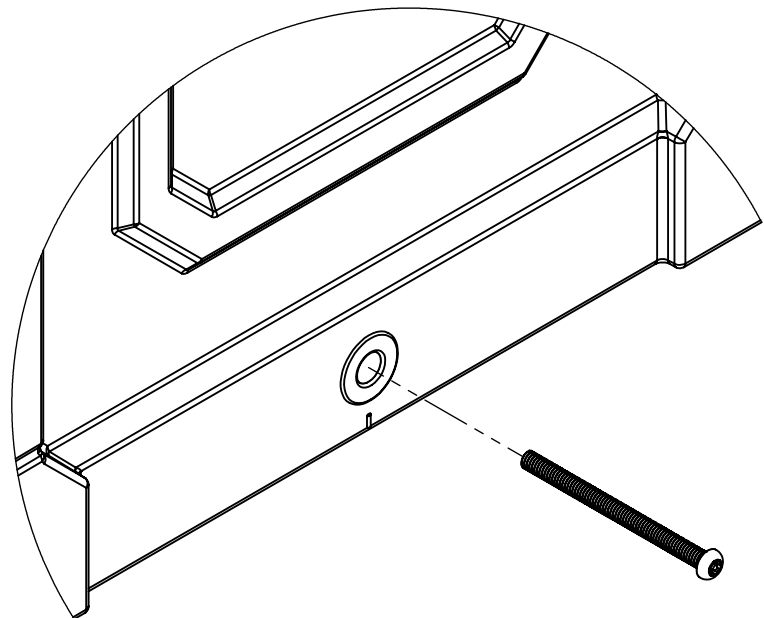
Turn the Open Chest upright and position in place over the Floor Brackets.

Slide the Chest to engage the Anchor Tabs with the Floor Brackets.



13. **Install Bed Anchoring Screws**

Secure (2) 4" long Anchoring Screws through the Guide Tubes from step 11 into the threaded portion of the Floor Anchor Brackets from step 8. Repeat this step for both sides of the Nightstand.

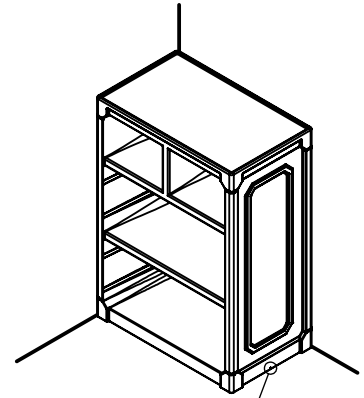


Installation is complete.

Corner Installation:

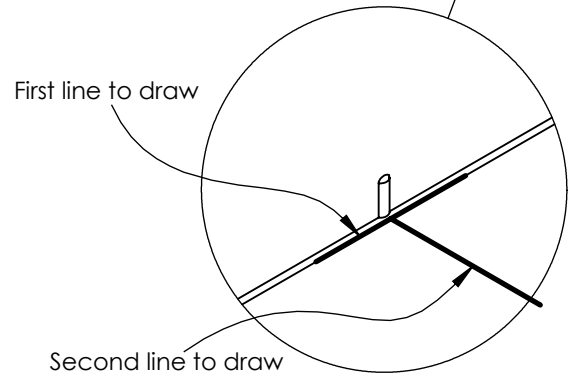
1. Marking the Location

Place the Open Chest on the floor in an upright position in the corner location where it is to be installed.



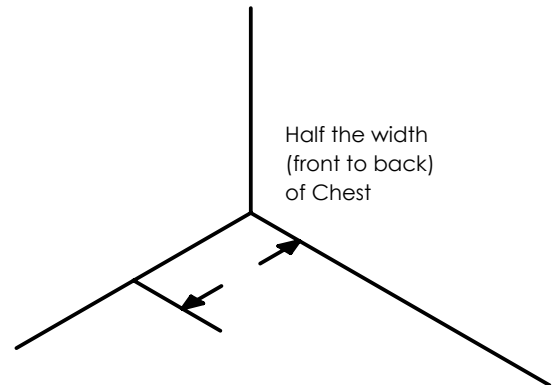
2. Mark a line on the floor along the exposed **side** of the Chest, toward the center.

3. Locate the molded line at the center of the exposed side, and mark the floor at this location, perpendicular to the first line. When finished marking, you will have what looks like a letter "T" on the floor.

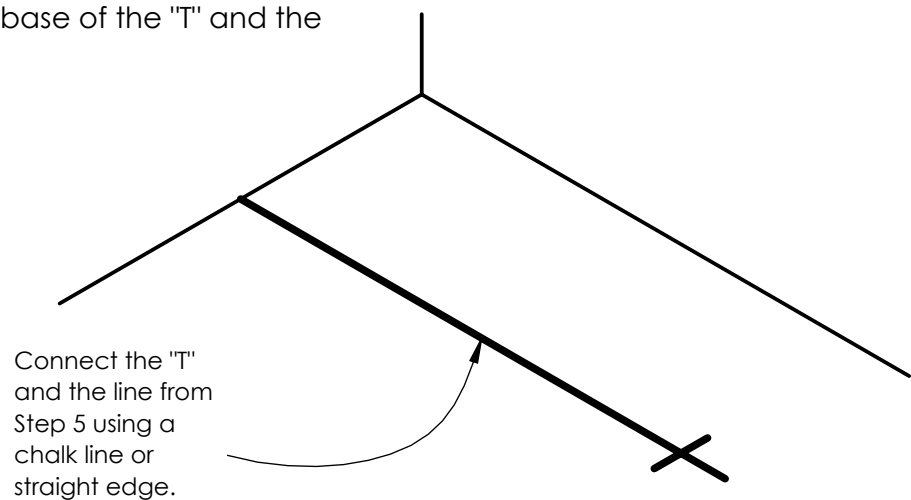


4. Move the Chest aside.

5. Measure the width (from front to back) of the Chest on the side that goes in the corner. Divide this number in half. Measure out from the corner, and make a mark on the floor at this dimension.

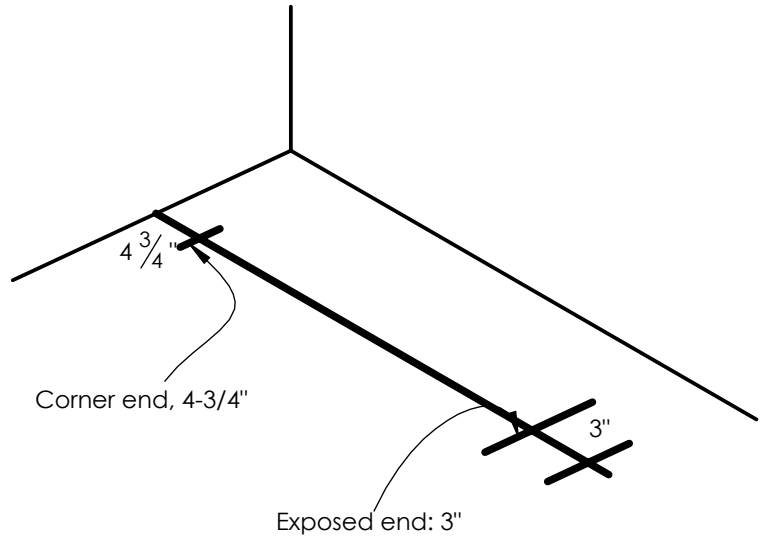


6. Using a straight edge or chalk line, mark a line down the center, by connecting the base of the "T" and the line previously drawn.

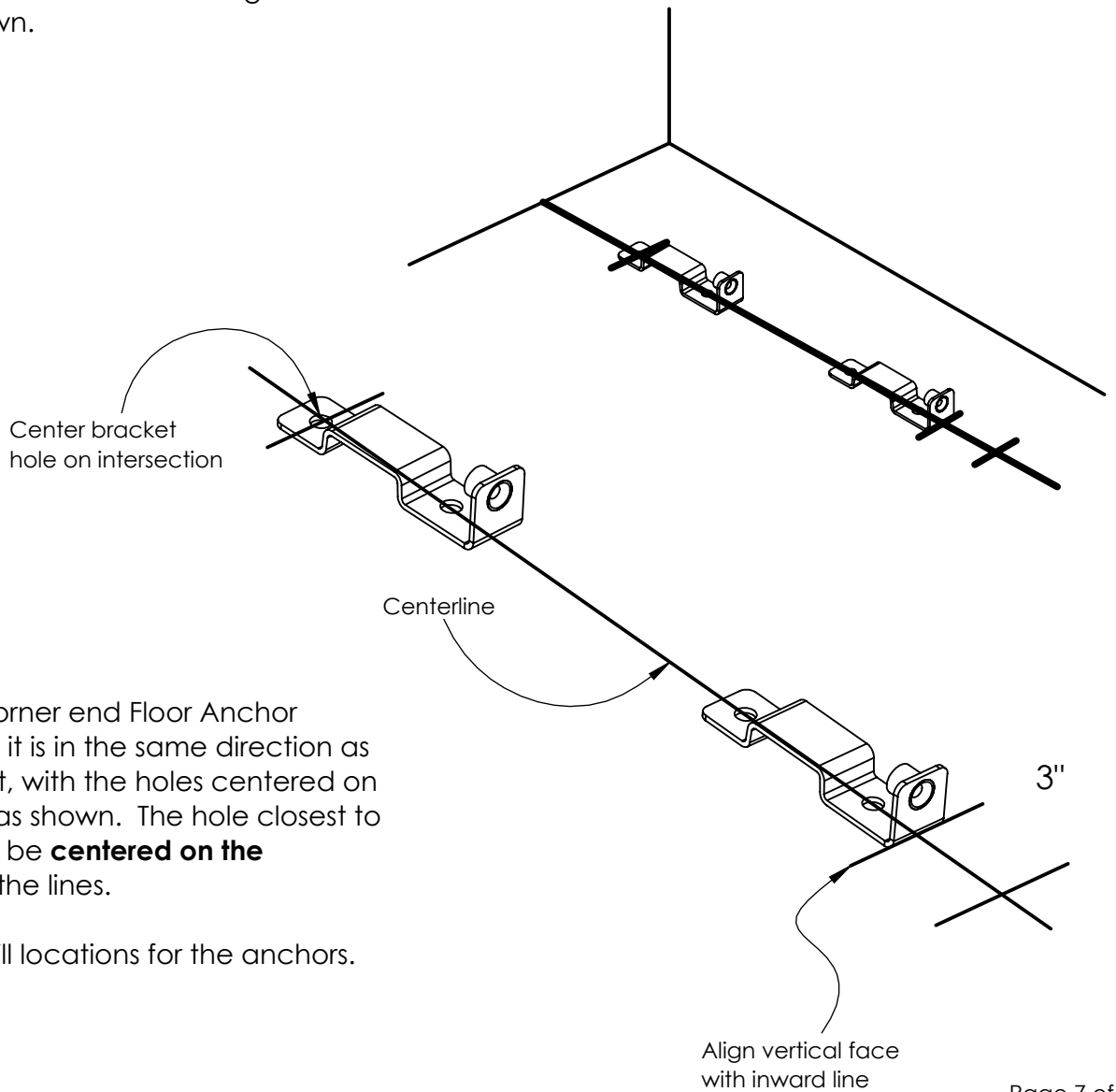


7. On the side that will be exposed, carefully measure 3" inward from the first line and mark a second line.

On the corner side, measure 4-3/4" from the wall and draw a second line.



8. Place the Floor Anchor Bracket so that the holes are centered on the centerline as shown, and the vertical face is aligned with the line as shown.



9. Place the corner end Floor Anchor Bracket so that it is in the same direction as the first bracket, with the holes centered on the centerline as shown. The hole closest to the wall should be **centered on the intersection** of the lines.

Mark the (4) drill locations for the anchors.

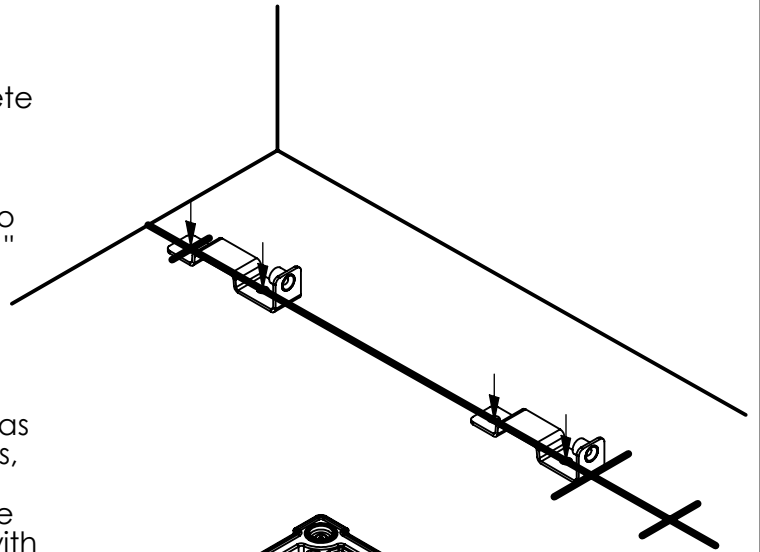
10. Install Floor Anchors and Brackets

If floor anchors other than the provided Concrete Wedge Anchors are to be used, consult the manufacturer for proper installation.

If the provided Concrete Wedge Anchors are to be used, drill (4) 5/16" dia. holes a minimum of 1" deep into the floor at the locations where previously marked.

Vacuum debris from the holes.

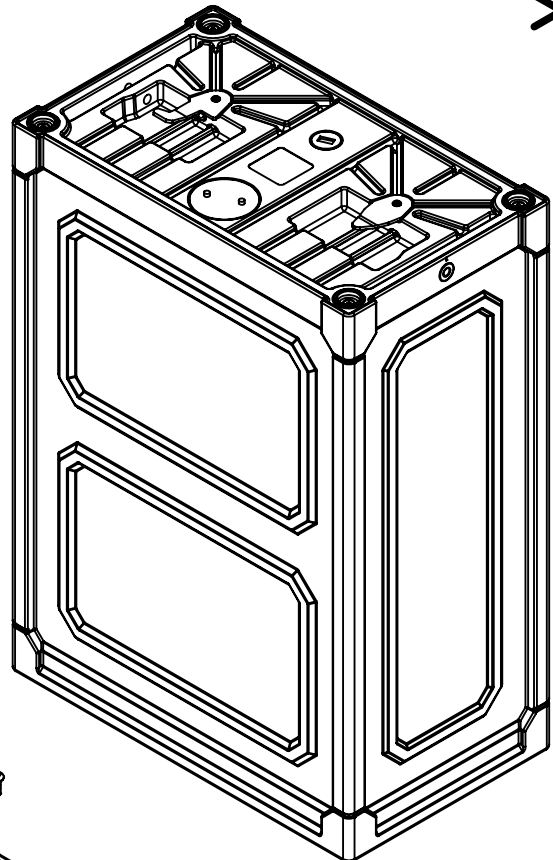
Place the (2) Brackets back into their locations as shown and install the Concrete Wedge Anchors, securing the Hex Nuts tightly to the Brackets. Ensure that the brackets are still aligned with the centerline and the vertical face is still aligned with the 3" mark. Make adjustments if necessary. **It is critical that these brackets are installed inline and in the correct position.** The provided Shims can be used to help level the brackets.



11. Drill Holes and Install Brackets Onto Open Chest

Refer to page 3 and the section on **Drill Holes and Install Brackets Onto Open Chest.**

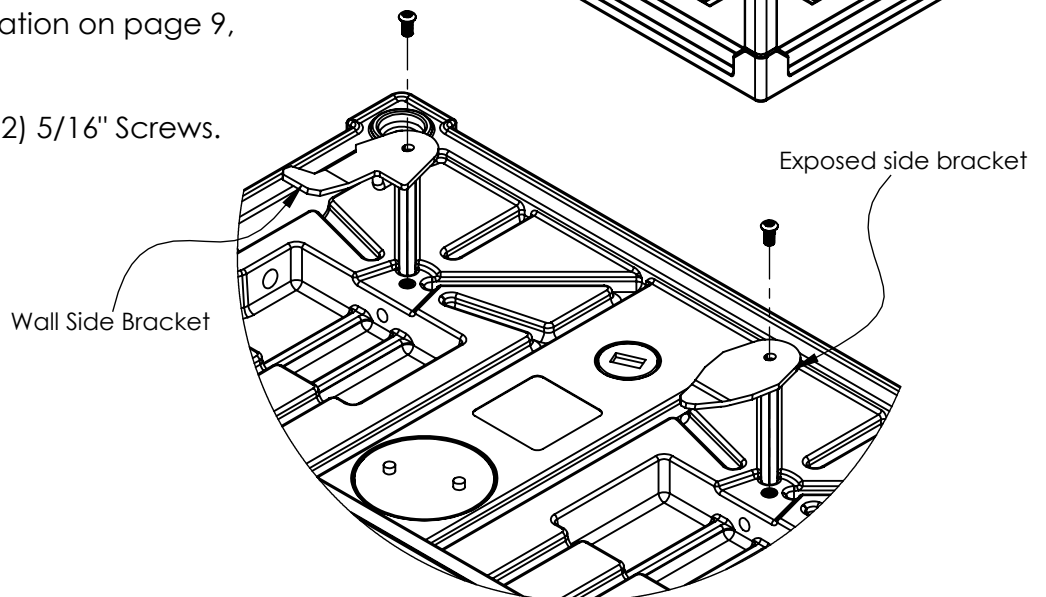
Using the Drill Guide, drill a hole in **only** the exposed side of the Chest. Do not drill a hole in the side that goes against the wall.



12. Install Anchor Tabs on Open Chest

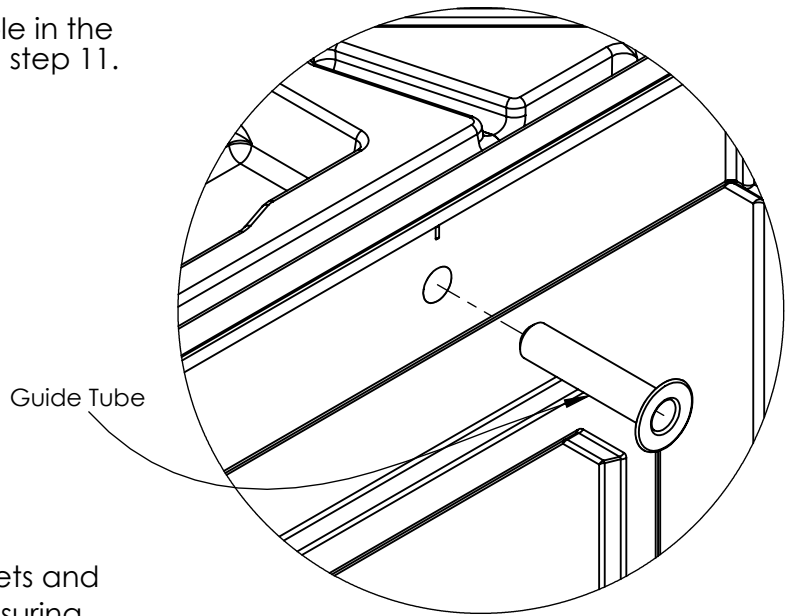
In a **corner installation**, the wall side of the Chest will receive a Hook Anchor, and the exposed side will receive a Straight Anchor Tab. Use whichever hook that will point to the closest wall. For further clarification, see the illustration on page 9, step 14.

Install the brackets using (2) 5/16" Screws.



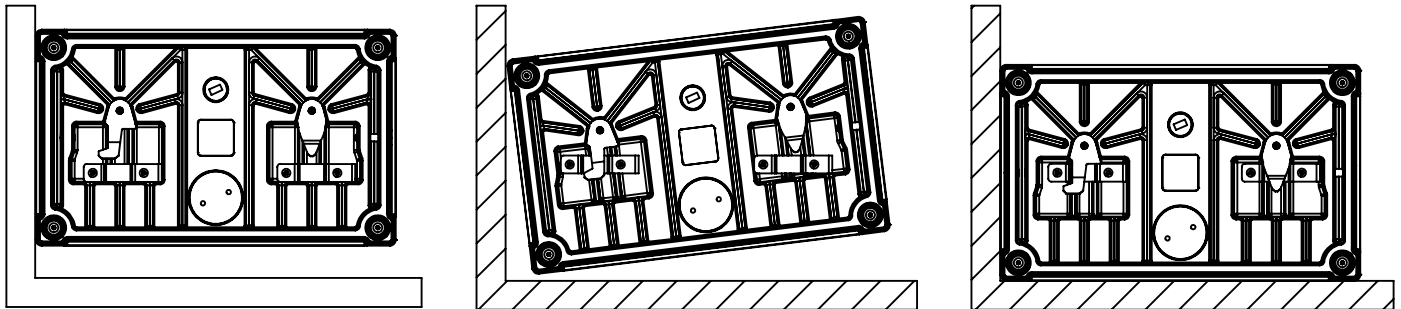
13. **Install Guide Tube**

Insert the Guide Tube into the drilled hole in the exposed side of the Open Chest during step 11.



14. **Set Chest in Place**

Place the upright Chest over the brackets and slide the Chest in place at an angle, ensuring that the Hook Tab engages the Floor Anchor Bracket first. Once the back corner of the unit touches the wall, the Chest can be rotated into place, engaging the Straight Tab with the 2nd Floor Anchor Bracket.



15. **Install Anchoring Screws**

Secure (2) 4" long Anchoring Screws through the Guide Tube into the threaded portion of the Floor Anchor Brackets.

Installation is complete.

