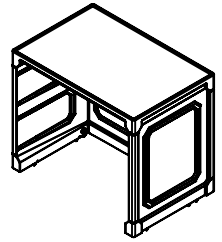




Arcadian Desk Assembly Instructions



Model Number
ARC600

www.norix.com • TEL 800 234-4900

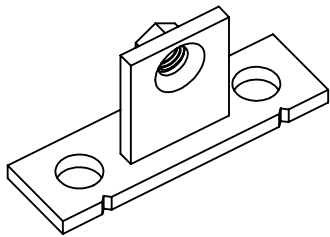
Assembly Notes: Norix is not responsible for any damage due to improper installation. If your shipment does not match the parts list, please contact Norix Customer Service at 800-234-4900. Norix reserves the right to modify design specifications at any time without an obligation to owners of previously sold products.

Important Note: For a successful installation, careful and accurate layout of the anchor brackets is a must. Read through the instructions first and familiarize yourself with all of the steps. If you have any questions, please call Norix Customer Care before proceeding. Norix is not responsible for damage to components due to improper installation.

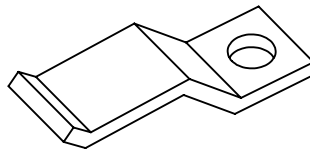
Tools Needed
Low RPM Variable Speed Drill
Hammer Drill
5/16 or 3/8 masonry drill bit
Pin-in-Torx® Driver Bit T-40 (provided)
Drill Bit (provided)

Security Caulk is highly recommended to help seal gaps and secure the furniture in place. Apply caulk to clean surfaces.

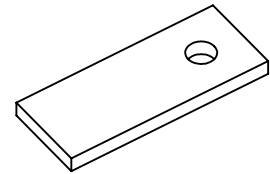
Anchor hardware: Please familiarize yourself with the anchoring components as shown below. If any components are missing, contact Norix Customer Care before proceeding.



Rear Floor Bracket (2)
011-060



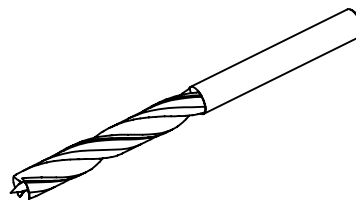
Front Floor Bracket (2)
011-061



Mounting Tab, Front (2)
011-062



Drill Guide, Desk (1)
011-065



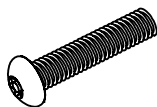
5/16" Drill Bit (1)
029-945



Shim (4)
060-197



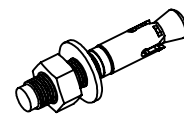
Screw,
5/16-18 X 5/8" L (2)
021-118



Screw,
5/16-18 X 1-1/2" L (2)
021-007



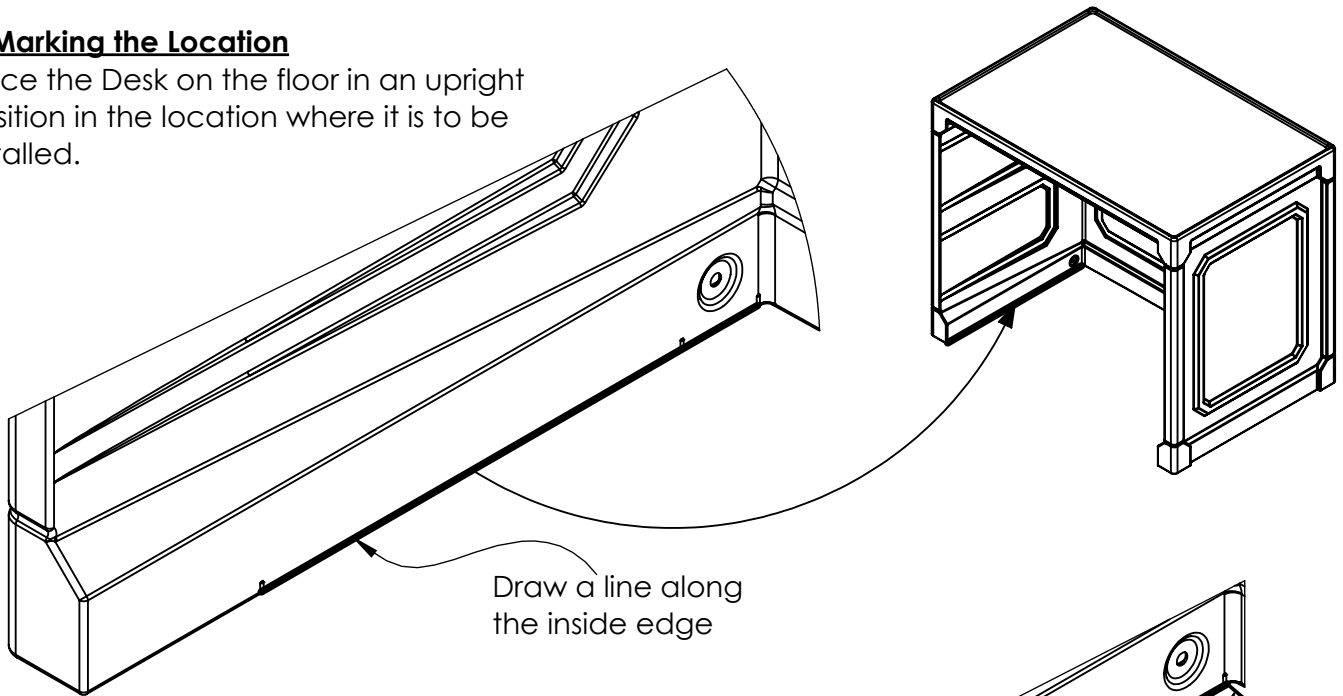
Washer, Flat (4)
025-041



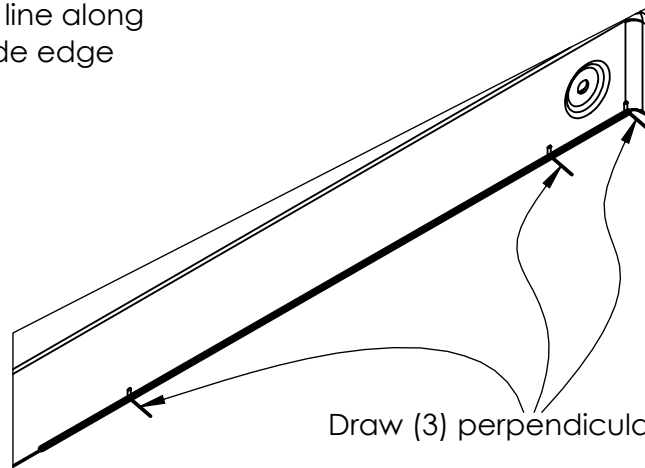
Concrete Anchor,
5/16" X 2" L (6)
024-024
OR
3/8" X 2-1/4" L (6)
024-025

1. Marking the Location

Place the Desk on the floor in an upright position in the location where it is to be installed.

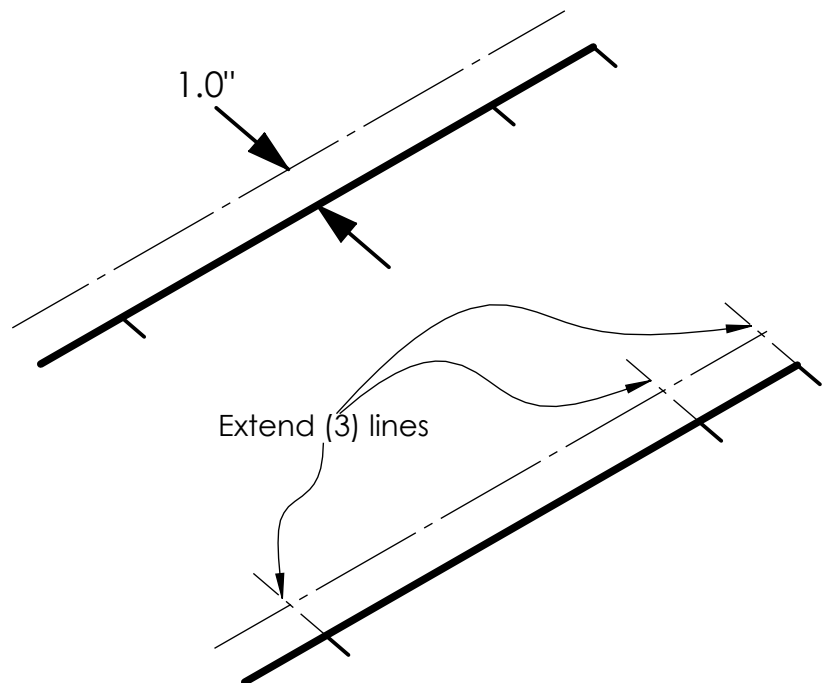


2. Draw a line on the floor along the **inside** wall of each leg, as shown.



3. Locate the (3) molded lines along the inside wall of each leg. See illustration for locations. Draw a line at each location, perpendicular to the first line. Repeat for 2nd leg.

4. Move the Desk aside.



5. Draw a line parallel to the first line toward the outside, **1"** away. Repeat for 2nd leg.

6. Extend the (3) short lines up to the previous line. Repeat for 2nd leg.

7. The intersections of these lines drawn in steps 1 through 6 will be the drilling locations for the brackets shown at right. Repeat this process for both sides of the desk (drilling 6 holes total into the floor).

8. Install Floor Anchors and Brackets

Do not use the provided drill bit for concrete. It is for plastic or wood only.

If floor anchors other than the provided Concrete Wedge Anchors are to be used, consult the manufacturer for proper installation.

If the provided Concrete Wedge Anchors are to be used, drill (6) 5/16" dia. holes a minimum of 1" deep into the floor at the locations where previously marked.

Vacuum debris from the holes.

Place the (2) Brackets back into their locations as shown and install the Wedge Anchors, securing the Hex Nuts tightly to the Brackets. Ensure that the Brackets are still aligned with the centerline. Make adjustments if necessary. **It is critical that these brackets are installed inline and in the correct position.** The provided Shims can be used to help level the brackets. Repeat for both sides.

9. Drill Holes in Desk

To drill the holes and install brackets, it is easiest if the Desk is inverted. Place padding on the floor to protect from scratches.

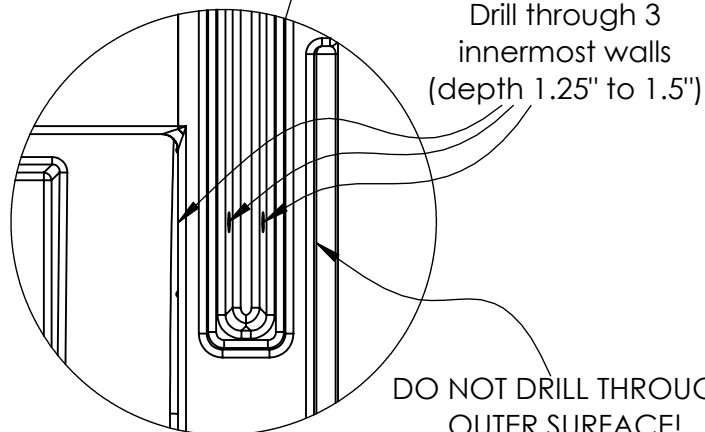
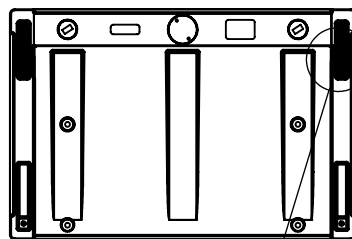
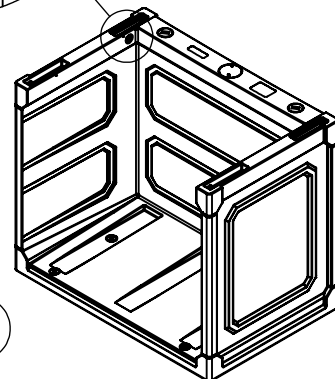
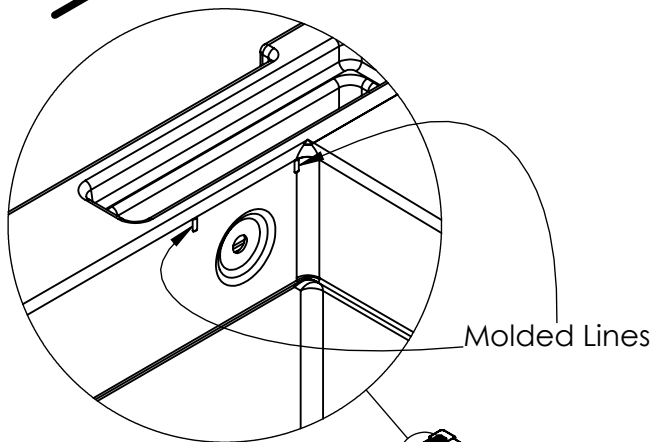
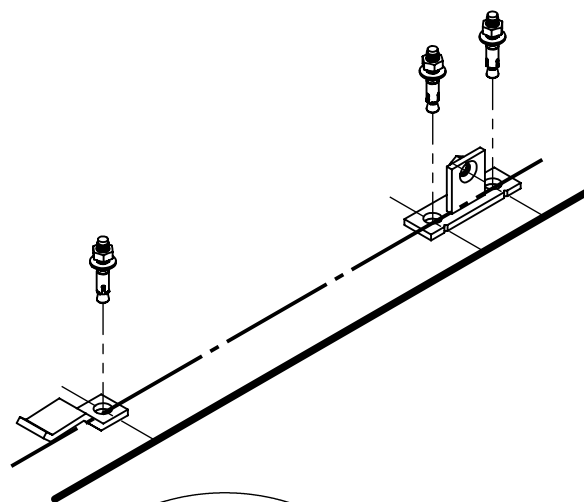
Wear protective gloves when drilling holes, in case of an accidental slip.

Place the Drill Guide on the Desk **between** the two molded lines toward the back. The Drill Guide may be held by hand, or clamped in place with a padded C-clamp if necessary.

It is important to drill the holes accurately in the correct position, centered between the molded lines.

Using the provided 5/16" brad-point drill bit, drill through the unit into the pocket. **Do not drill through the outside wall of the Desk.** Drill carefully, and don't force the bit. The Guide will help drill a hole that is **perpendicular** to the inner face of the leg.

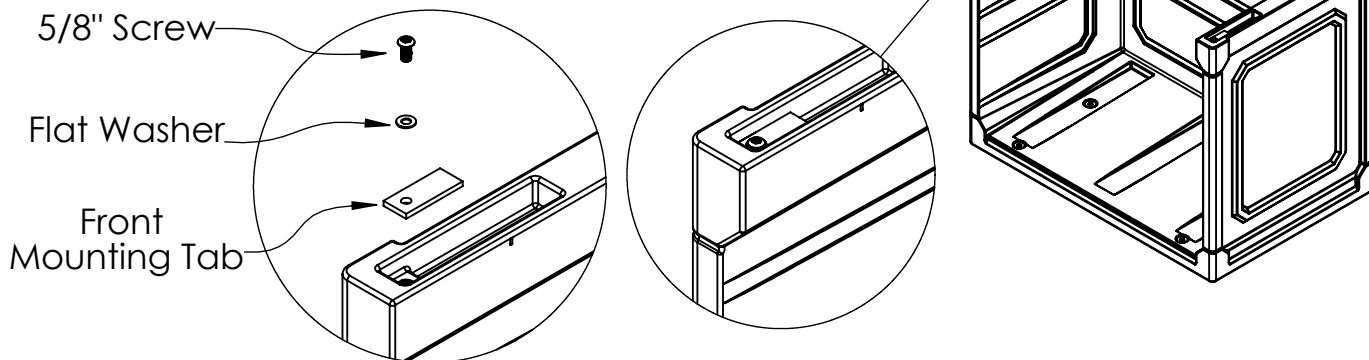
Repeat drilling a hole in the other leg.



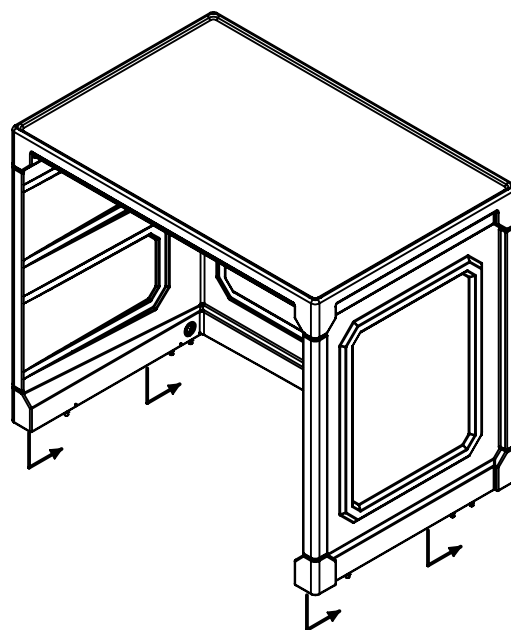
DO NOT DRILL THROUGH OUTER SURFACE!

10. Install Front Mounting Tab in the front pocket using a Flat Washer and 5/8" L Screw.

Do not overtighten. Repeat for both legs.



11. Set the Desk in place over the brackets and slide toward the back, engaging the Front Floor Bracket with the Mounting Tab on the Desk. Pull upward to ensure that the front brackets are engaged.



12. Install a 1.5" L Screw and Flat Washer at each of the two back bracket locations.

Do not overtighten.

Installation is complete.

