

www.norix.com • TEL 800 234-4900

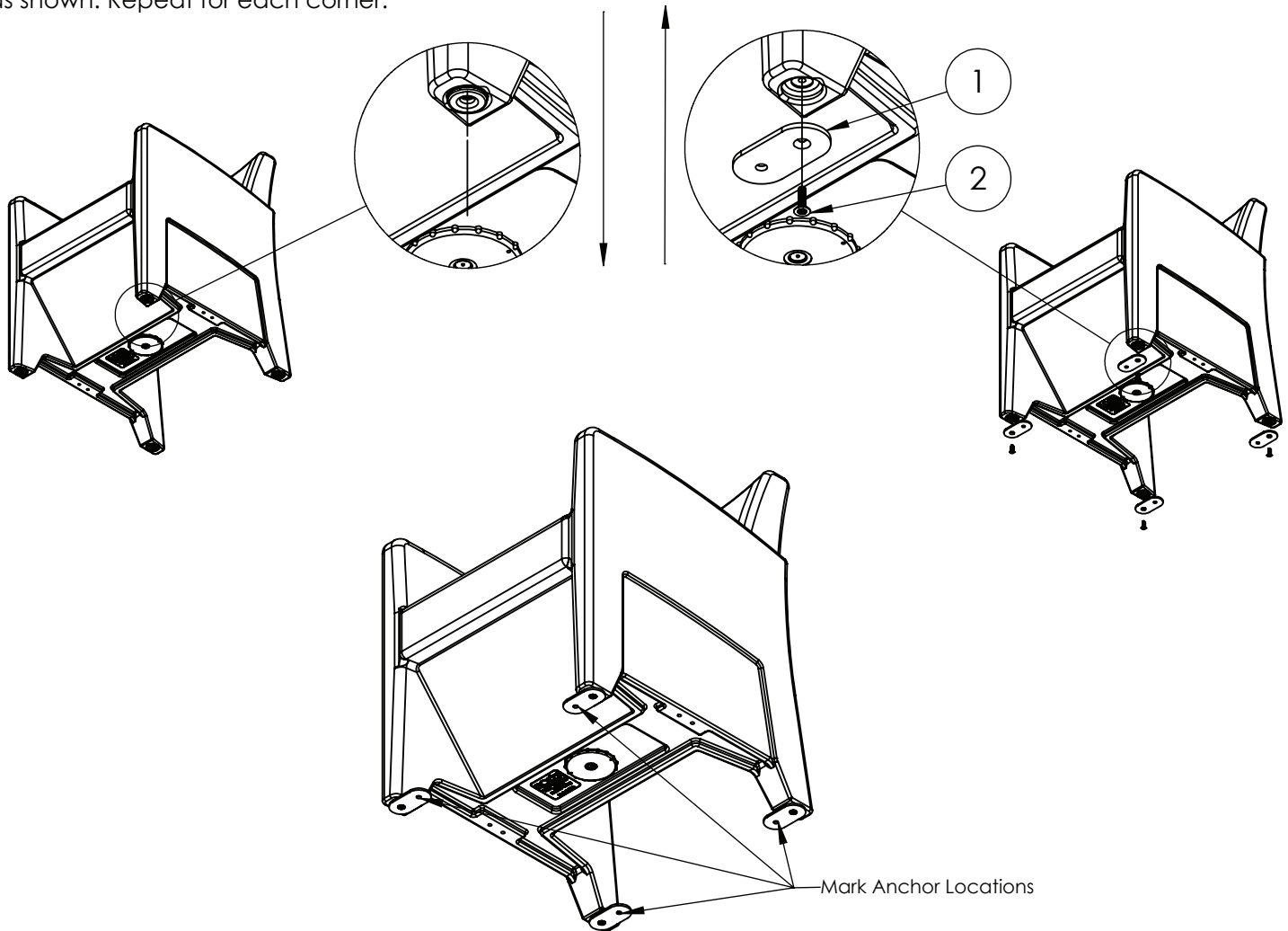
Assembly Notes: Norix is not responsible for any damage due to improper installation. If your shipment does not match the parts list, please contact Norix Customer Service at 800-234-4900. Norix reserves the right to modify design specifications at any time without an obligation to owners of previously sold products.

PARTS LIST

| ITEM NO. | QTY. | PART NUMBER | DESCRIPTION |
|----------|------|-------------|--|
| 1 | 4 | 029-047 | External Bolt Down Tab |
| 2 | 4 | 021-077 | Screw, Machine 1/4"-20 X 1", FH, Pin in Torx® T-27, Zinc |
| 3 | 1 | 071-001 | Pin in Torx Bit, T-27 |

STEP 1: Remove mounted glide and pin in torx screw from bottom of chair as shown. Repeat for each corner.

STEP 2: Insert Bolt Down tab with 1/4"-20 Flat Head screw as shown. Repeat for each corner.



STEP 3: Mark Anchor Locations to the floor and secure the chair to the floor with the bolt down tabs using mounting hardware.