

Ballasting Instructions for Rotational Molded Chairs and Tables

www.norix.com • TEL 800 234-4900

Assembly Notes: Norix is not responsible for any damage due to improper installation. If your shipment does not match the parts list, please contact Norix Customer Service at 800-234-4900. Norix reserves the right to modify design specifications at any time without an obligation to owners of previously sold products.

PARTS LIST

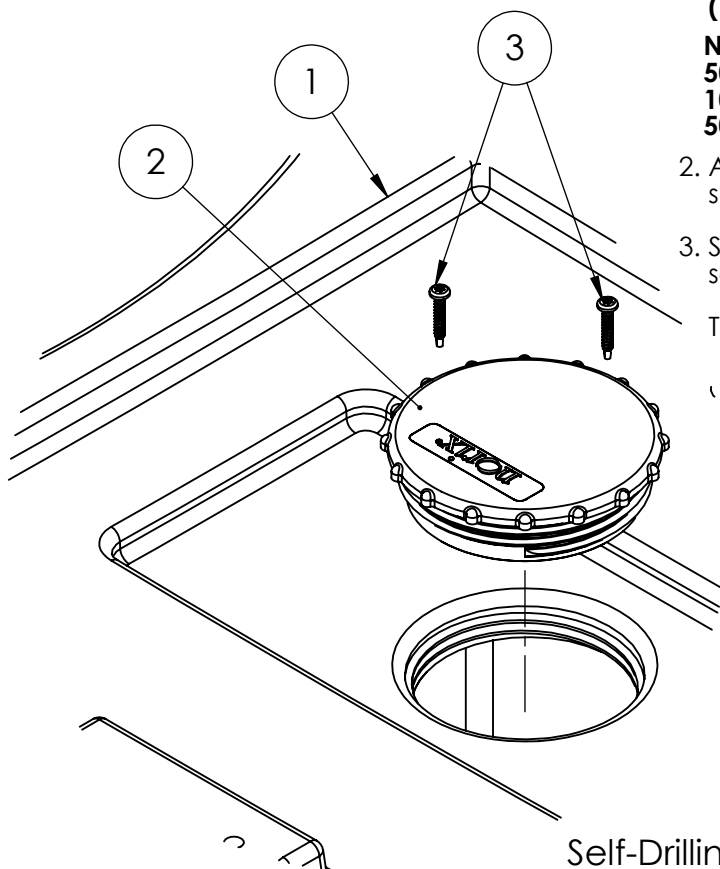
ITEM NO.	QTY.	DESCRIPTION
1	1	Chair or Table
2	1	Threaded 3" or 4" Plug Roto Chairs
3	2	Screw, 8-18 X 1" L Pin in Torx® PH Self-drilling SS
-	1	Pin in Torx Bit, T-20

1. Turn the Chair or Table upside down, remove the Threaded Plug, and place 42 gal. Contractor Bag **(Not Provided)** inside and open up. Minimum thickness is 4mil. Fill Bag with ballast medium. Norix recommends the use of clean dry pea gravel or sand for ballasting **(Not Provided)**. Tie bag and push inside of chair or Table.

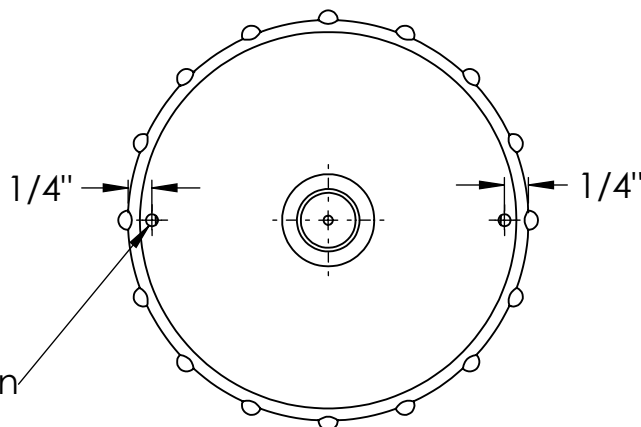
NOTE:
50 LBS. BALLAST WEIGHT RECOMMENDED
100 LBS. BALLAST WEIGHT MAXIMUM
50 LBS. BALLAST WEIGHT MAXIMUM (WINK)

2. After adding ballast, re-install the Threaded Plug making sure that it is securely tightened.
3. Secure the Plug using the supplied #8-18 X 1" self-drilling screws. Do not over-tighten.

Turning the Chair or Table upright may require two people.



THREADED PLUG



Self-Drilling
Screw Location