

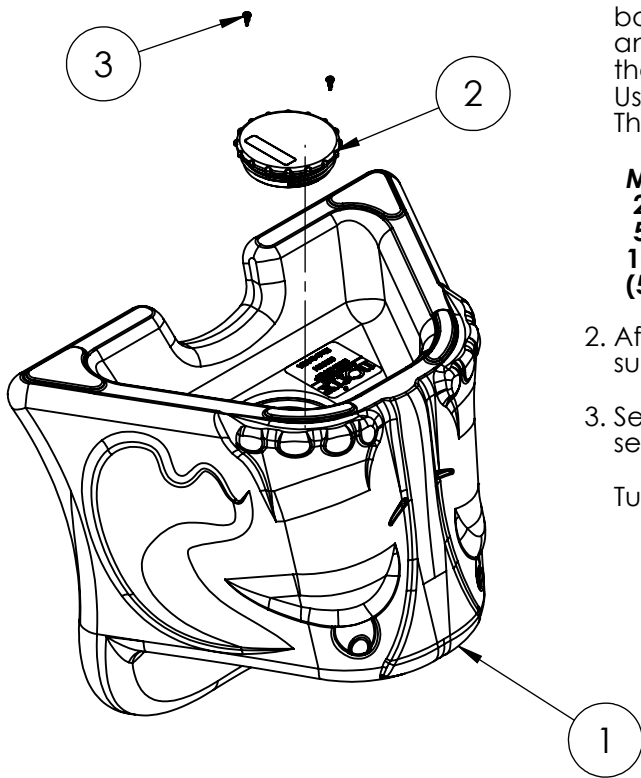
Ballasting Instructions for Kids Furniture

www.norix.com • TEL 800 234-4900

Assembly Notes: Norix is not responsible for any damage due to improper installation. If your shipment does not match the parts list, please contact Norix Customer Service at 800-234-4900. Norix reserves the right to modify design specifications at any time without an obligation to owners of previously sold products.

PARTS LIST

ITEM NO.	QTY.	DESCRIPTION
1	1	Chair/Table, Kids Furniture
2	1	Threaded 4" Plug Norix
3	2	Screw 8-18 X 1 L, BH, Pin in Torx T-20, Self Drilling SS
Tool	1	Pin in Torx Bit, T-20



REFERENCE IMAGE

1. Turn the Chair or Table upside down inside of the Cardboard box to protect from scratches. Remove the Threaded Plug, and fill with ballast material. Norix recommends to use the clean dry pea gravel for ballasting. **(Not Provided)** Use the Wide Neck Funnel or the Masking Tape to protect Threads from dust.

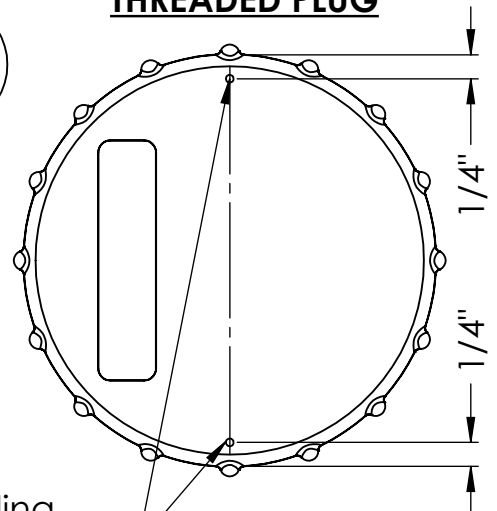
Maximum Weight:
25 LBS. BALLAST WEIGHT For ELLE Chair.
50 LBS. BALLAST WEIGHT For A-Maze Chair
100 LBS. BALLAST WEIGHT For ELLE Table
(50 LBS. RECOMENDED For ELLE Table)

2. After adding ballast, re-install the Threaded Plug making sure that it is securely tightened.
3. Secure the Plug using the supplied #8-18 X1" self-drilling screws. Do not over-tighten.

Turning the Chair upright may require two people.



THREADED PLUG



Self-Drilling
Screw Location