

Assembly Notes: Norix is not responsible for any damage due to improper installation. If your shipment does not match the parts list, please contact Norix Customer Service at 800-234-4900. Norix reserves the right to modify design specifications at any time without an obligation to owners of previously sold products.

### Parts List

ITEM	QTY.	PART NUMBER	DESCRIPTION
A	1	SHU1144-1XYZ	Safehouse Captains Bed with Cubbies

Tools Needed
Low RPM Variable Speed Drill
3/8" Concrete Drill Bit
Floor Anchor (8)
Driver for Anchor Hardware

Use suitable anchors in eight places to secure unit to floor.

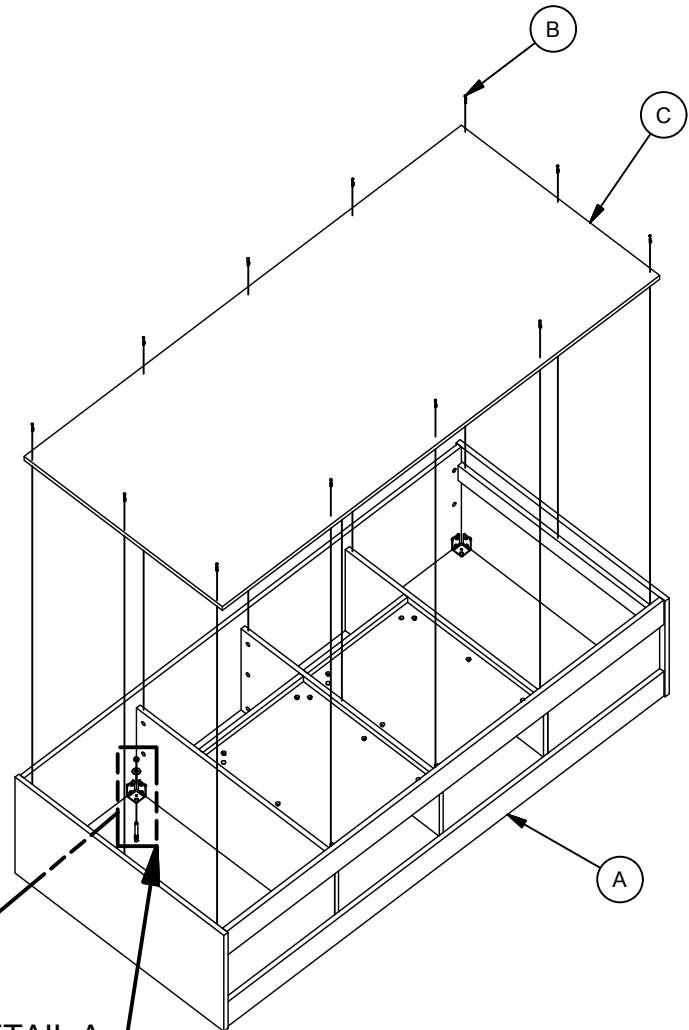
Remove the eight glides from the glide brackets on the bottom of the unit. Glides will not be re-used after the unit is bolted to the floor.

Remove 12 screws (B) from Sleep Surface (C). Remove Sleep Surface and set aside.

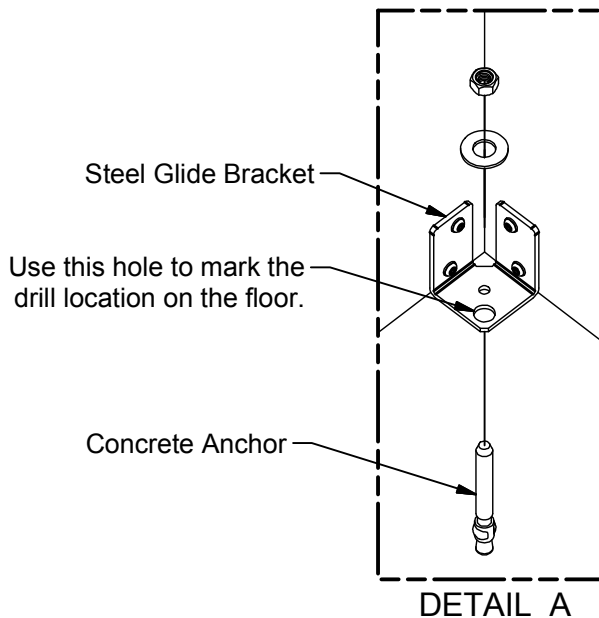
Using the large diameter hole in each glide bracket, mark the anchor locations on the floor. Set the bed aside and drill appropriately sized anchoring holes in the floor.

After the anchors are secured to the floor, the bed can be lowered over the anchors and secured with hardware.

Replace the Top Panel (C) so that it faces the same direction as when it was removed so that the 12 holes line up with the holes in the base (A).



DETAIL A



DETAIL A