

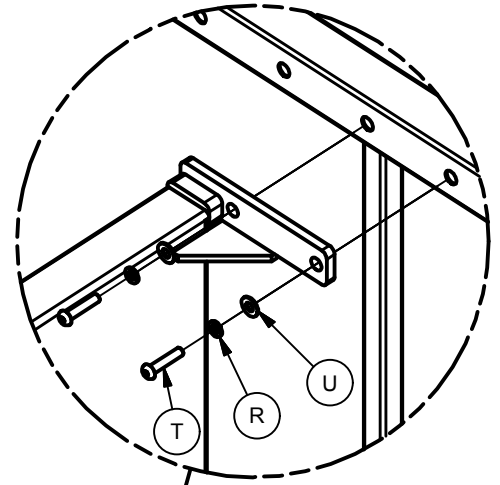
Assembly Notes: Norix is not responsible for any damage due to improper installation. If your shipment does not match the parts list, please contact Norix Customer Service at 800-234-4900. Norix reserves the right to modify design specifications at any time without an obligation to owners of previously sold products.

Parts List

| ITEM | QTY | PART NUMBER | DESCRIPTION |
|------|-----|-------------------|--|
| A | 1 | 037-T001-XX | Bunk Pan, KD, Titan 80 X 36 |
| B | 1 | 037-T002-XX | Bunk Pan, KD, Titan, Family Bed Bottom, 80 X 36 |
| C | 1 | 037-T003-XX | Bunk Pan, KD, Titan, Family Bed Extension 83 X 18.5 |
| D | 2 | 036-T102-XX | Steel End Frame, Titan, Family Bed |
| E | 2 | 036-T002-XX | Steel End Frame Leg, Family Bed Extension |
| F | 1 | 030-T006-XX | Headboard, Short |
| G | 1 | 030-T007-XX | Footboard, Short |
| H | 1 | 030-T008-XX | Headboard, Short, Family Size |
| J | 1 | 030-T009-XX | Footboard, Short, Family Size |
| K | 4 | 029-T006-XX | Bracket, Side Rail, Short |
| L | 2 | 030-T010-XX | Side Rail, Short, HPL |
| M | 2 | 030-T011-XX | Side Rail, Tall, HPL |
| N | 4 | 029-T005-XX | Bracket, Side Rail, Tall |
| P | 4 | 029-T007-XX | Bracket, Titan, Center, HPL Bed Rails |
| Q | 20 | 021-108 | Standard: Screw, 1/4-20 X 3/4" L, BH, Cross, Female |
| Q | 20 | 021-119 | Security: Screw, 1/4-20 X 3/4" L, BH, S-Torx, Female |
| R | 24 | 025-011 / 025-030 | Washer 5/16 Split (Zinc / Black) |
| S | 5 | 025-018 | Nut, 1/4-20, Centerlock |
| T | 40 | 021-101 / 021-102 | Standard: Screw, 5/16-18 X 1.5 L, Btn Hd, Hex Skt Cap (Zinc / Blk) |
| T | 40 | 021-116 / 021-007 | Security: Screw 5/16-18 X 1.5 L, Btn Hd, Torx Pin (Zinc / Black) |
| U | 74 | 026-006 / 025-031 | Washer, Flat 11/32 ID X 3/4 OD x .050 (Zinc / Black) |
| V | 25 | 021-107 / 021-115 | Standard: Screw, 1/4-20 x .75 L Recessed Hex Skt Cap, (Zinc / Blk) |
| V | 25 | 021-077 / 021-062 | Security: Screw, 1/4-20 x .75 L Torx Pin, (Zinc / Black) |
| W | 1 | 071-014 | Hex Bit 3/16" |

Tools Needed

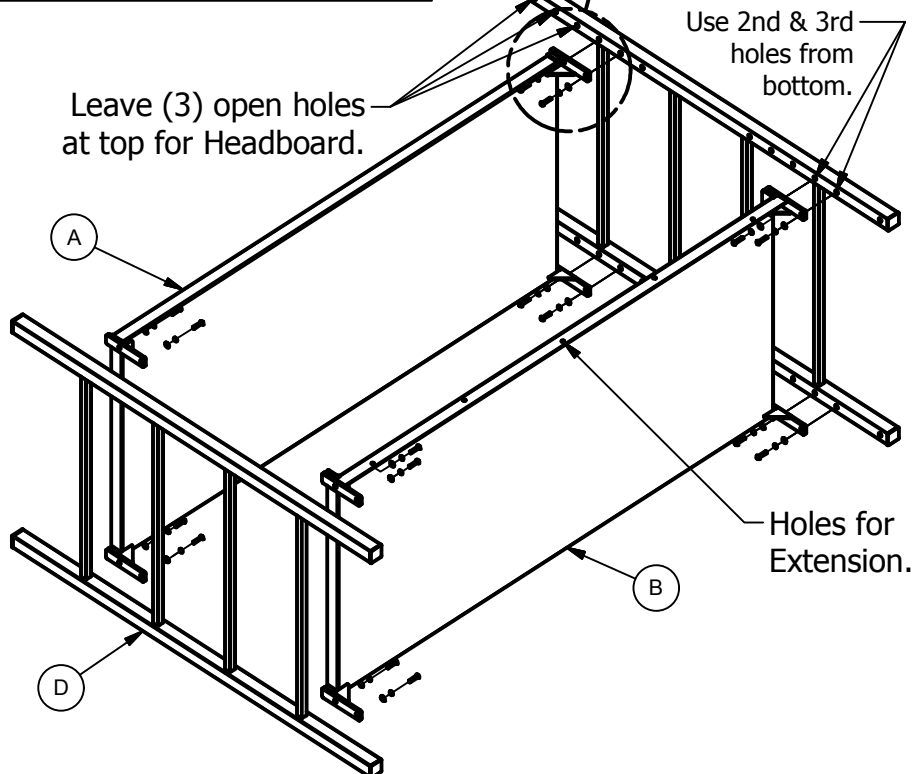
| |
|------------------------------|
| Low RPM Variable Speed Drill |
| 3/16" Hex Driver OR T-40 |
| 5/32" Hex Driver OR T-27 |
| Driver Extension |
| Philips Head Screwdriver |
| 7/16" Wrench |



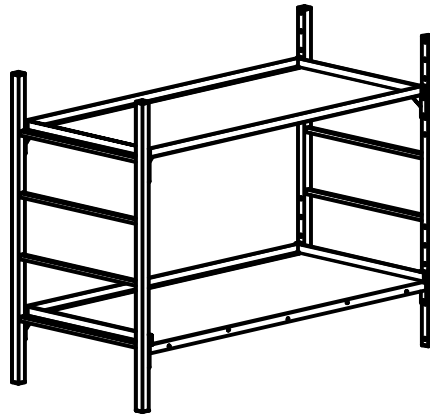
Determine whether bed is to be left or right hand. See bottom of page 4 for finished assembly illustrations. Steps 1 thru 4 are the same for either left or right hand versions.

1. Lay out End Frames and Pans on sides as shown. Bottom Pan (B) has holes for Extension, facing upward in the illustration. Leave (3) holes open at top of End Frame for attaching Head/Foot boards in a later step.

Use Screw (T), Lock Washer (R), and Flat Washer (U) as shown, (2) each per corner of each pan. Fasten hardware securely.

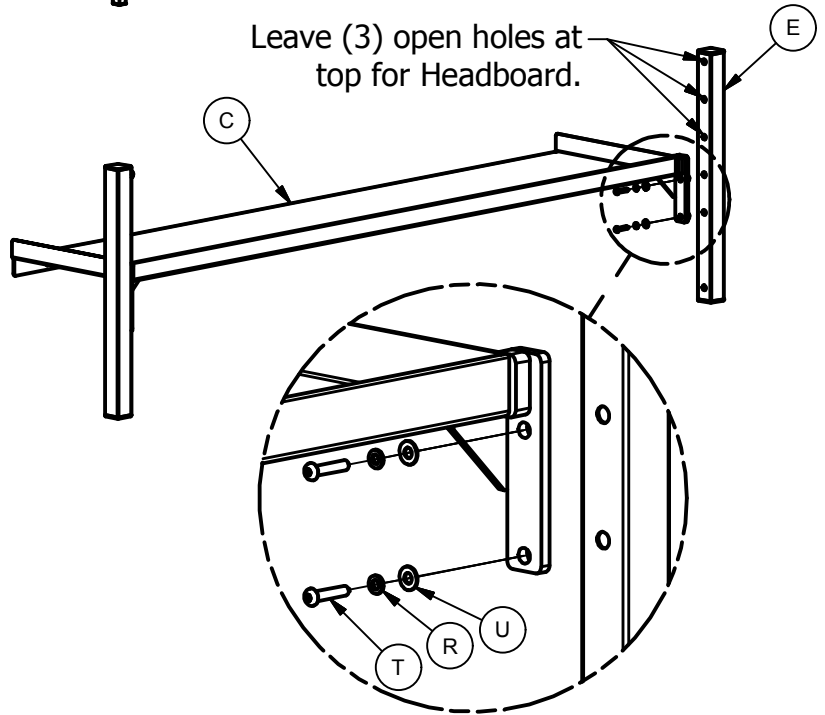


2. Set Bed sub-assembly upright.



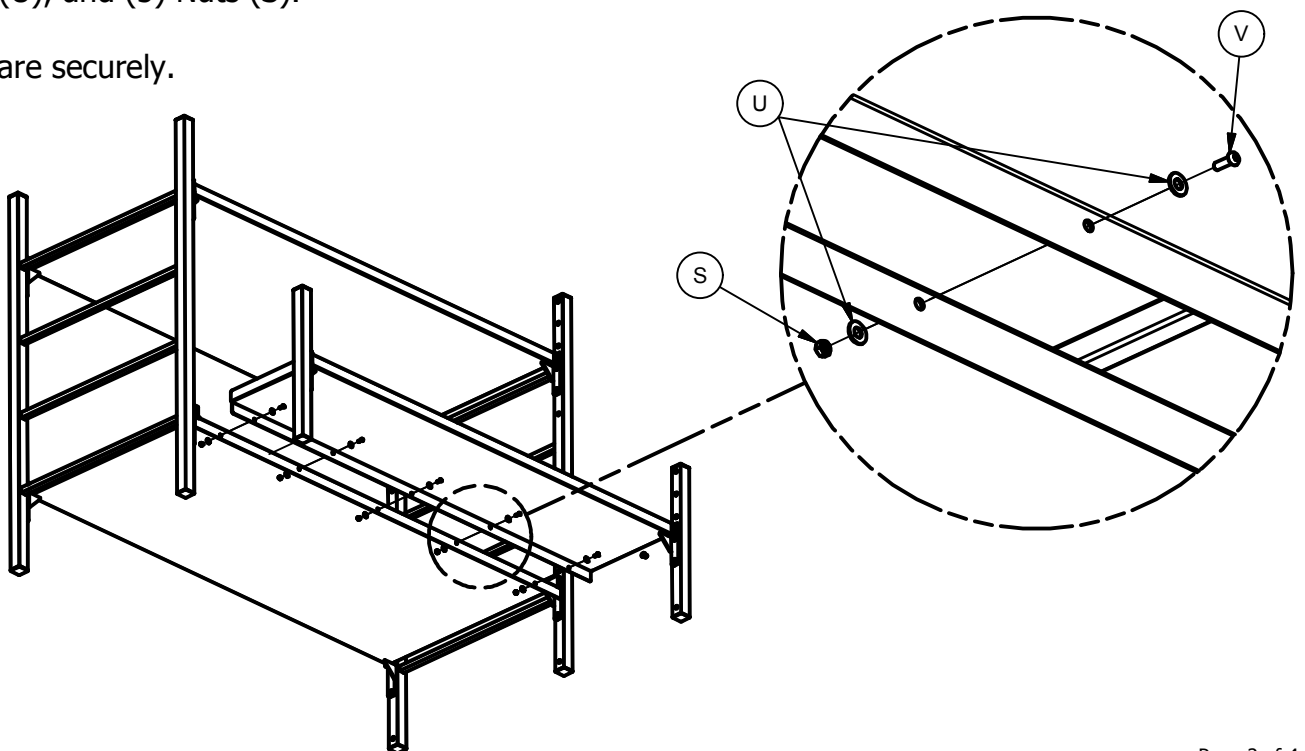
3. Assemble (2) Legs (E) to Bed Extension (C) using (4) Screws (T), Lock Washers (R), and Flat Washers (U). Note (3) holes left open at top of Legs.

Fasten hardware securely.



4. Assemble Bed Extension sub-assembly to Bed sub-assembly using (5) Screws (V), (10) Flat Washers (U), and (5) Nuts (S).

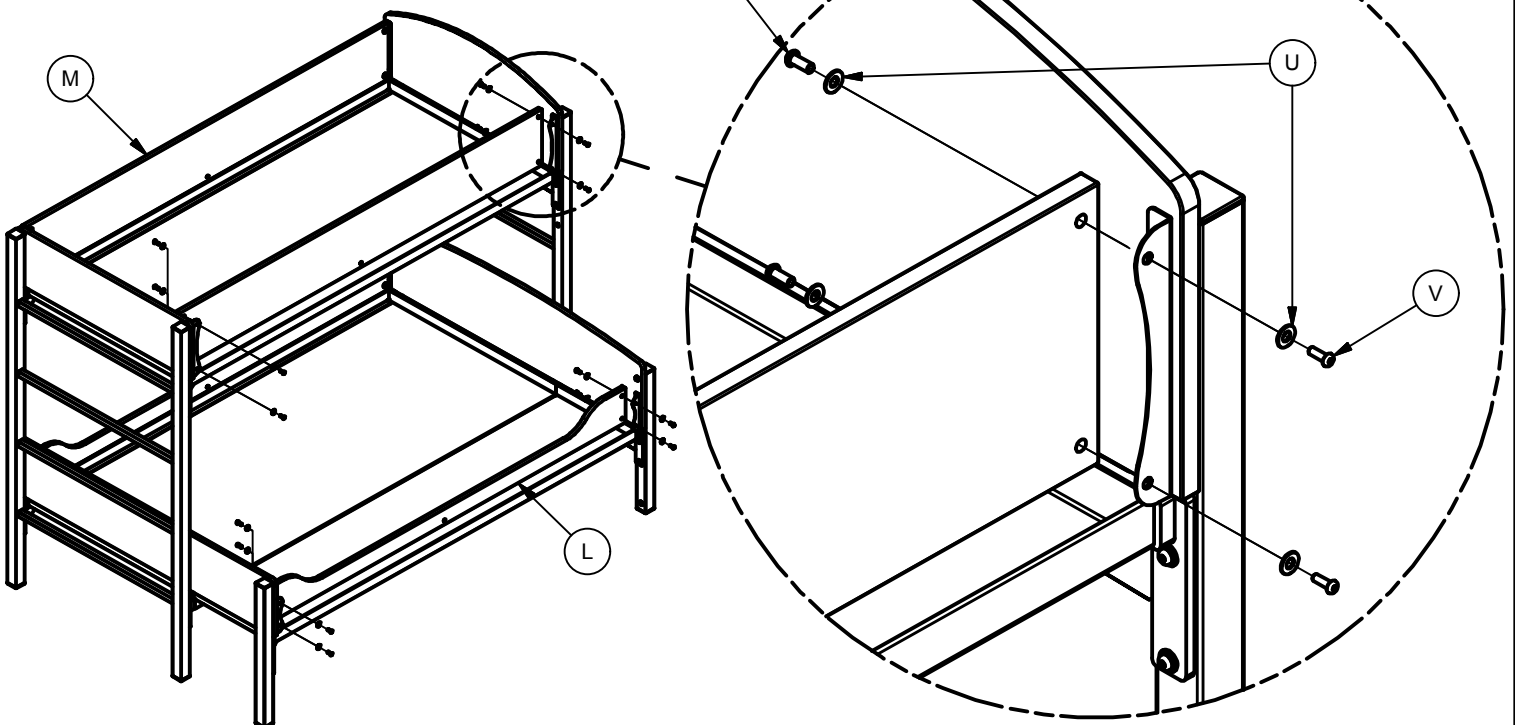
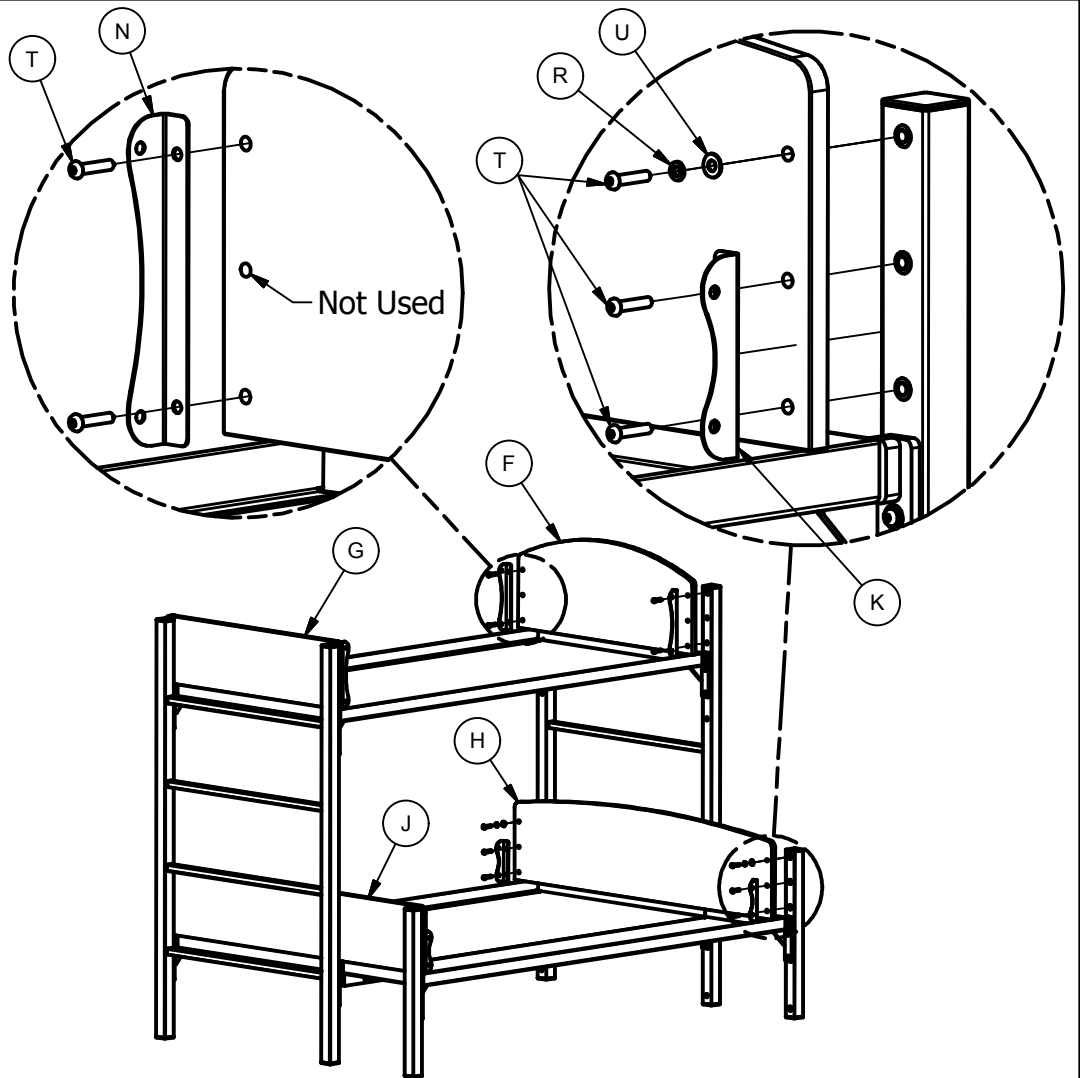
Fasten hardware securely.



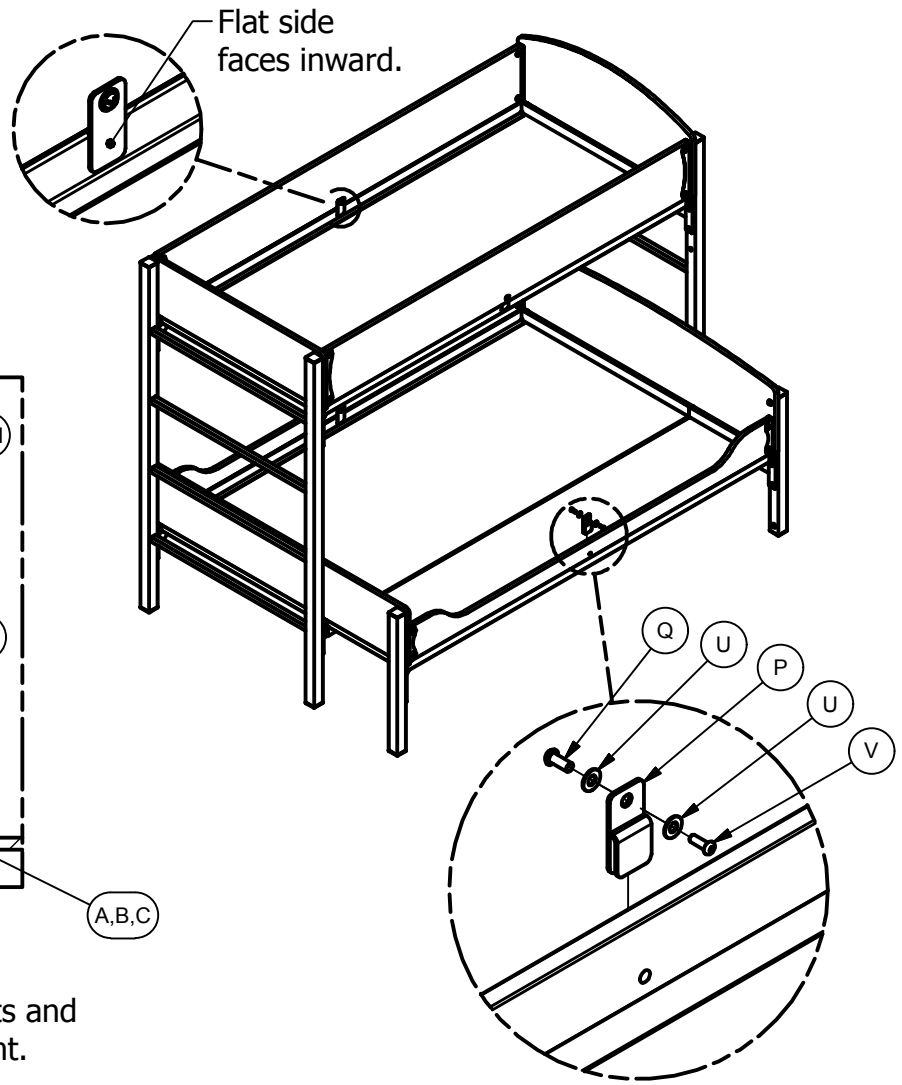
5. Assemble Headboard (F) and (2) Tall Rail Brackets (N) to top bunk using (4) Screws (T). Repeat for Footboard (G). Fasten hardware securely.

6. Assemble Headboard (H) and (2) Short Rail Brackets (K) to bottom bunk using (6) Screws (T), (2) Lock Washers (R), and (2) Flat Washers (U). Repeat for Footboard (J). Fasten hardware securely.

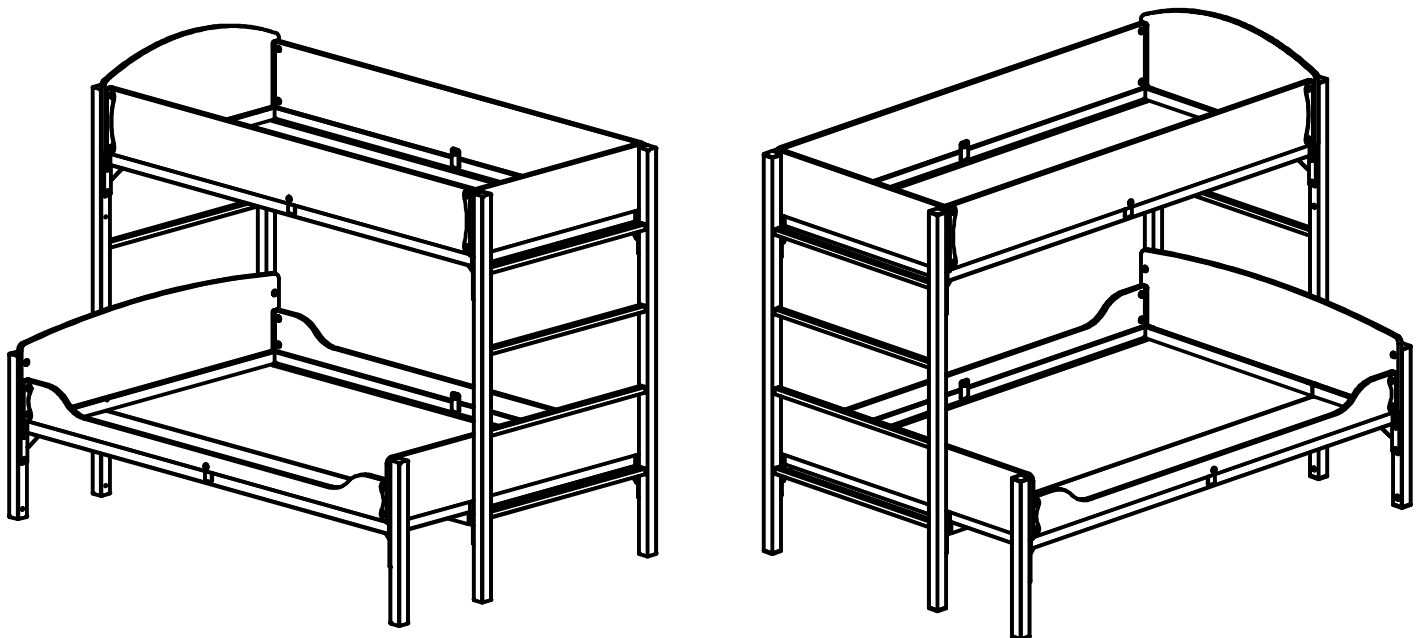
7. Assemble (2) top bunk Side Rails (M) and (2) bottom bunk Side Rails (L) to Bed using (16) Screws (V), (32) Flat Washers (U), and (16) Female Screws (Q). Note that Female Screws (Q) are located facing inward. Fasten hardware securely.



8. Assemble (4) Rail Brackets (P) to Side Rails and Bunk Pans as shown, using (4) Screws (V), (8) Flat Washers (U), and (4) Female Screws (Q). Note the correct orientation of the Brackets in the detail and cutaway view. Fasten hardware securely.



9. Upon completion, check all components and hardware to ensure that fasteners are tight.



Assembled Family Bed.

Bed can be assembled as left or right hand.