

Assembly Notes: Norix is not responsible for any damage due to improper installation. If your shipment does not match the parts list, please contact Norix Customer Service at 800-234-4900. Norix reserves the right to modify design specifications at any time without an obligation to owners of previously sold products.

### Parts List

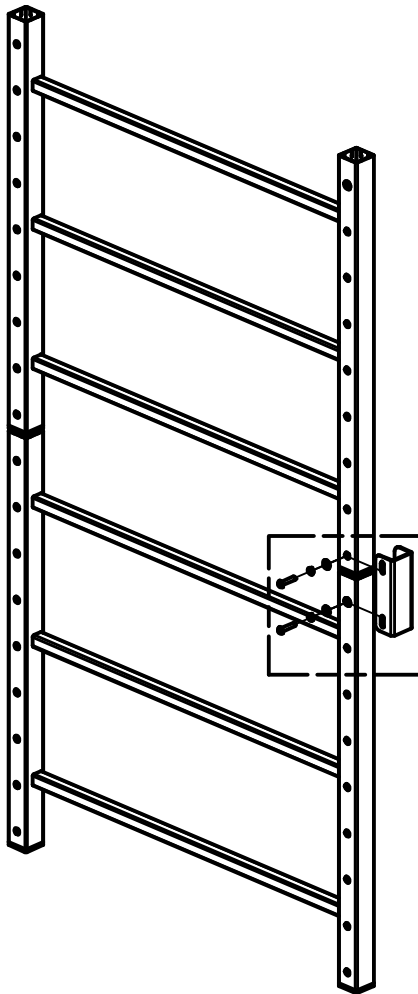
ITEM	QTY	PART NUMBER	DESCRIPTION
A	4	036-261-XX	Bunk Clamp, Titan
B	8	021-101 / 021-102	Standard: Screw, 5/16-18 x 1-1/2 L Button Head, Hex Socket Cap (Zinc / Black)
B	8	021-116 / 021-007	Security: 5/16-18 x 1-1/2 L Btn Hd Screw, Torx Pin (Zinc / Black)
C	8	025-011 / 025-030	5/16 Lock Washer (Zinc / Black)
D	8	026-006 / 025-031	11/32 Flat Washer (Zinc / Black)
17	2	026-008	3/8-16 Flanged Nut

#### SET-UP

Prior to Assembly - Open all packaging and confirm Parts List.  
Keep all items on a protective surface during assembly.

#### Tools Needed

Low RPM Variable Speed Drill  
3/16" Hex Driver OR T-40



STEP 1: With Bed End Frames bunched slide Bunk Clamp (A) over End Frames over the section in which the End Frames join. Secure into position using (4) Screws (B), (4) Lock Washers (C), and (4) Flat Washers (D).

