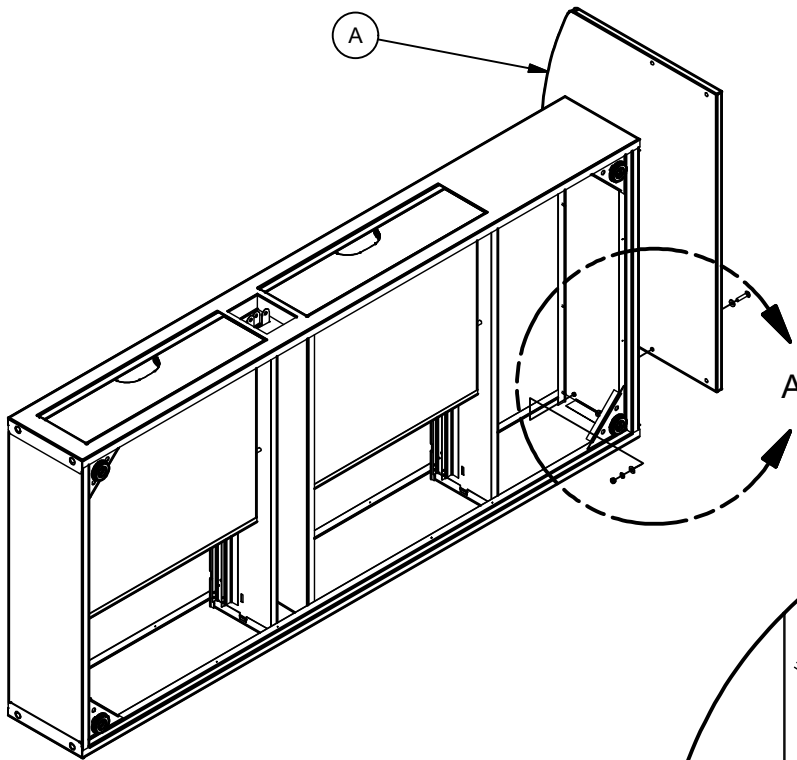


Assembly Notes: Norix is not responsible for any damage due to improper installation. If your shipment does not match the parts list, please contact Norix Customer Service at 800-234-4900. Norix reserves the right to modify design specifications at any time without an obligation to owners of previously sold products.

Parts List

ITEM	QTY	PART NUMBER	DESCRIPTION
A	1	030-T00X-XX	Tall Headboard HPL Titan
B	8	026-006 / 025-031	Washer, Flat 11/32 ID X 3/4 OD x .050 (Zinc / Black)
C	4	025-011 / 025-030	Washer 5/16 Split (Zinc / Black)
D	4	025-010	Nut 5/16-18 Zinc
E	4	021-101 / 021-102	Standard: Screw, 5/16-18 X 1-1/2 L, Btn Hd, Hex Skt Cap (Zinc / Black)
E	4	021-116 / 021-007	Security: Screw 5/16-18 X 1-1/2 L Btn Hd, Torx Pin (Zinc / Black)

Tools Needed
Variable Speed Drill
3/16 OR T-40 Driver
1/2" Wrench



STEP 1: Remove the (4) hole covers on the end of the bed.

STEP 2: Install Headboard (A) With (4) 5/16 Screws (E), (8) Flat Washers (B), (4) Lock Washers (C), and (4) Nuts (D) and tighten securely.

