

Assembly Notes: Norix is not responsible for any damage due to improper installation. If your shipment does not match the parts list, please contact Norix Customer Service at 800-234-4900. Norix reserves the right to modify design specifications at any time without an obligation to owners of previously sold products.

Parts List

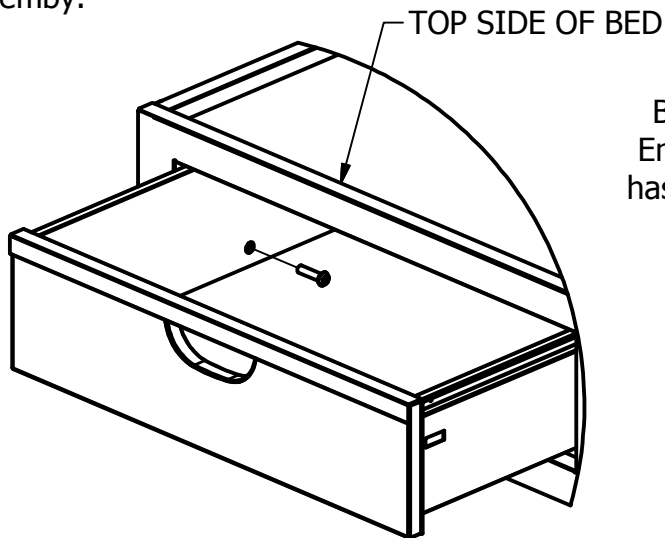
ITEM	QTY	PART NUMBER	DESCRIPTION
A	2	TNT1X4X	Panel Bed
B	2	036-T101	Tall Bunked Steel End Frame
C	16	021-101 / 021-102	Standard: Screw, 5/16-18 X 1.5 L, Hex Skt, Btn Head (Zinc / Blk)
C	16	021-116 / 021-007	Security: Screw, 5/16-18 X 1.5 L, Btn Hd, Torx Pin (Zinc / Blk)
D	16	025-011 / 025-030	5/16 Lock Washer
E	16	026-006 / 025-031	Washer, Flat 11/32 ID X 3/4 OD X .050

Tools Needed

Low RPM Variable Speed Drill
3/16" Hex Driver OR T-40
Driver Extension
T-45 Torx Driver (unit with drawers)

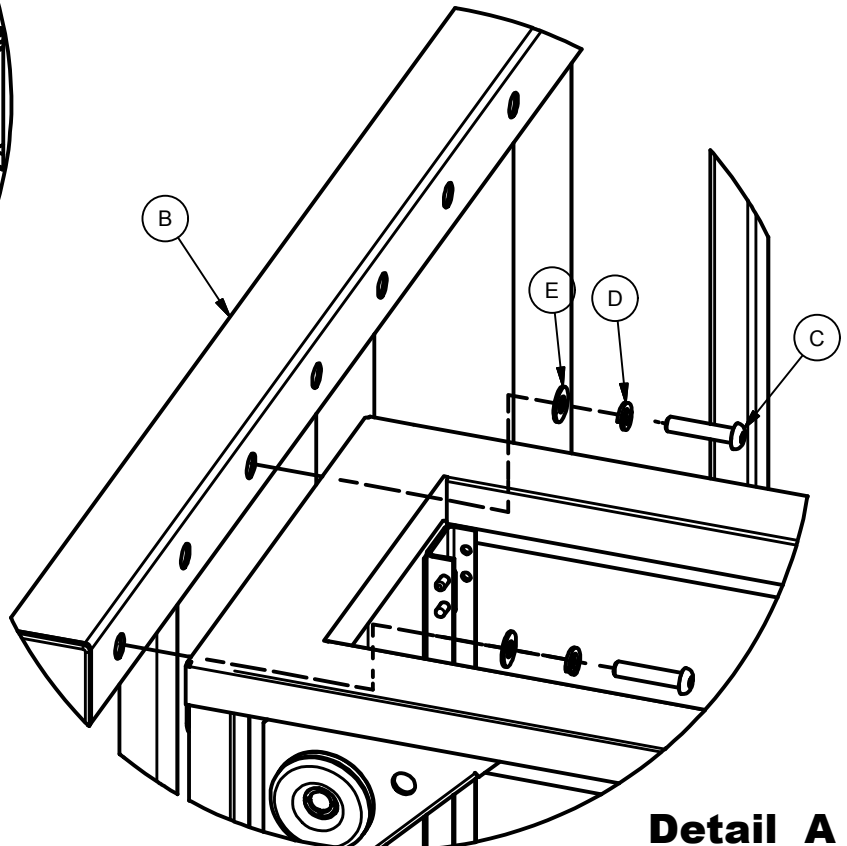
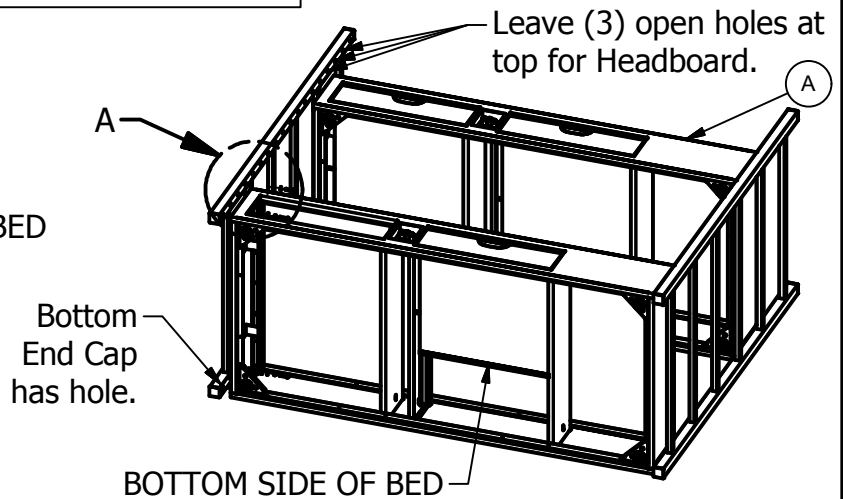
SET-UP

Prior to Assembly - Open all packaging and confirm Parts List.
Keep all items on a protective surface during assembly.



Remove drawer if required.
A T45 Torx Bit must be used to extract drawer stop hardware.

Determine height of bed sleep surface.
With height determined, align holes from end frame with holes on bed end panel.
Secure end frame to bed using 4 screws, lock washers, and flat washers.
Repeat for other end frame.



Detail A