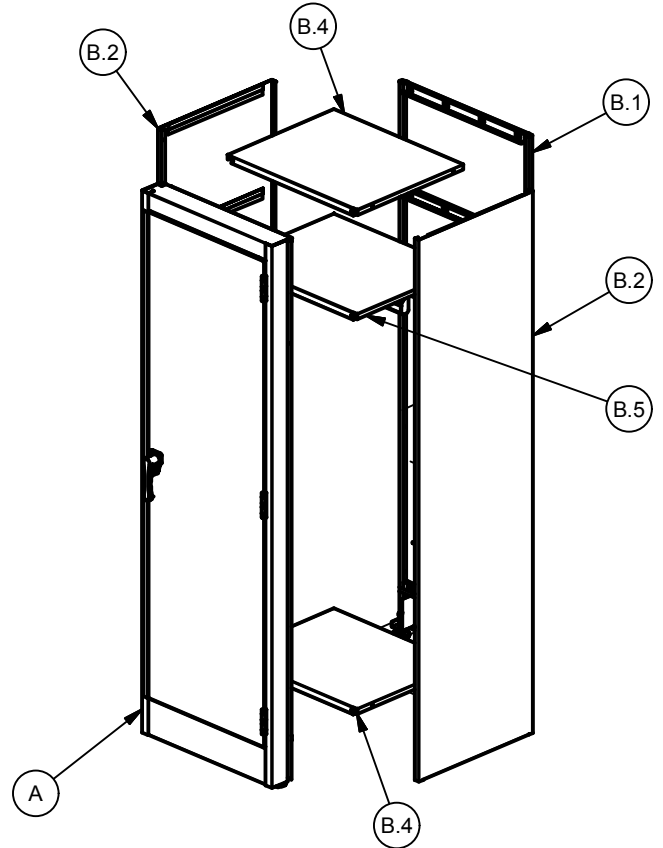
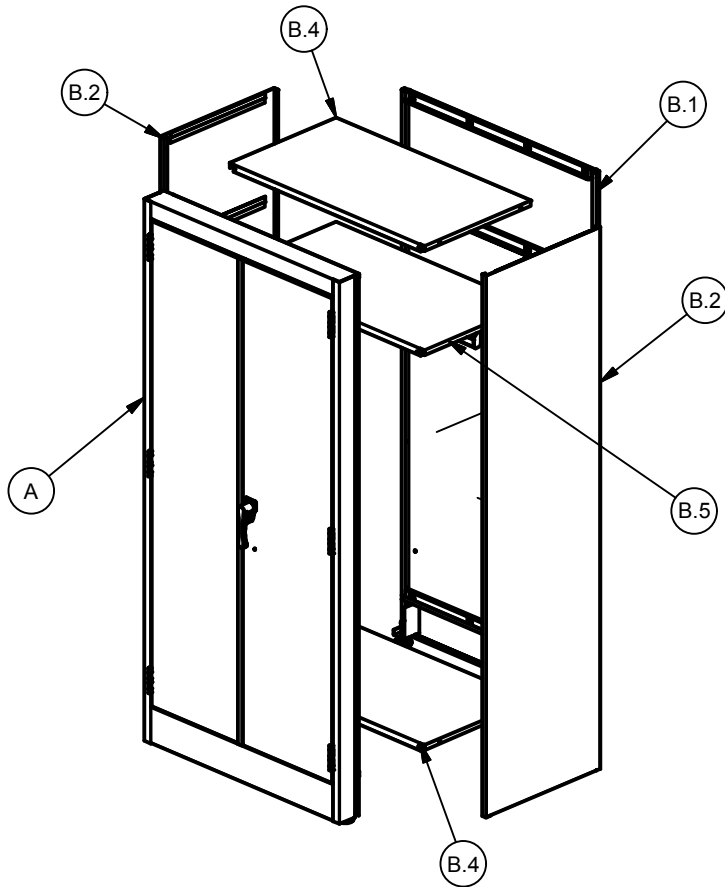


Assembly Notes: Norix is not responsible for any damage due to improper installation. If your shipment does not match the parts list, please contact Norix Customer Service at 800-234-4900. Norix reserves the right to modify design specifications at any time without an obligation to owners of previously sold products.

Parts List

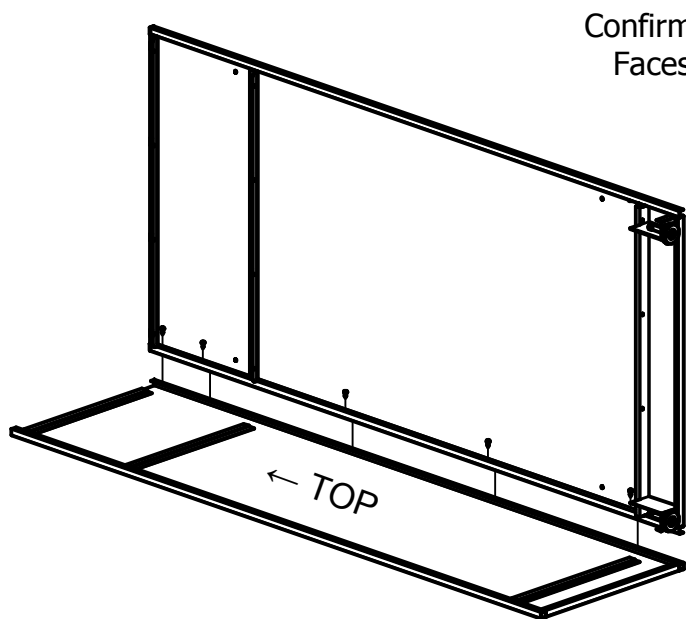
ITEM	QTY	PART NUMBER	DESCRIPTION
A	1	8200D-KXXXXT / 8100D_-KXXXXT	Double Wardrobe Door Kit / Single Wardrobe Door Kit
B	1	8200B-0XXT / 8100-0XXT	Double Wardrobe, Body Kit / Single Wardrobe, Body Kit
B.1	1	1390-601-01 / 1390-690-01	Double Wardrobe Back Panel / Single Wardrobe Back Panel
B.2	2	1390-608	Wardrobe Side Panel
B.4	2	1390-693-10 / 1390-693-01	Double Wardrobe Top-Bottom-Shelf Panel / Single Wardrobe Top-Bottom-Shelf Panel
B.12	1	1390-651-10	Double Wardrobe J-Bar
B.5	1	1390-693-10 w/ J-Bar / 1390-693-01 w/ J-Bar	Double Wardrobe Top-Bottom-Shelf Panel w/ J-Bar Weldment
C	42	021-103 / 021-104	Screw, Sheet Metal, Self Drilling, #10-16 x 5/8" L PH, SQ, (Zinc / Black)

Tools Needed
Low RPM Variable Speed Drill
6"+ Flexible Bit Extension
#2 Square Driver



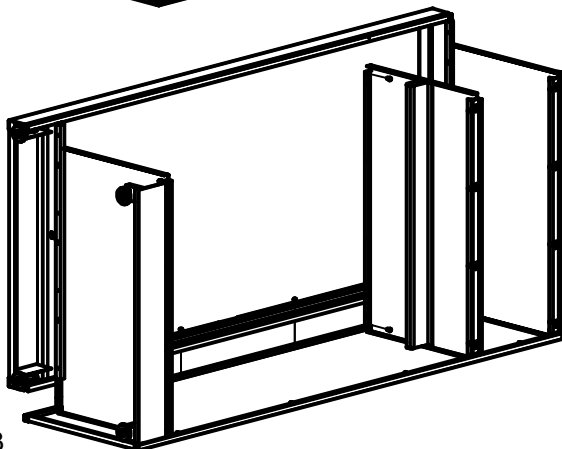
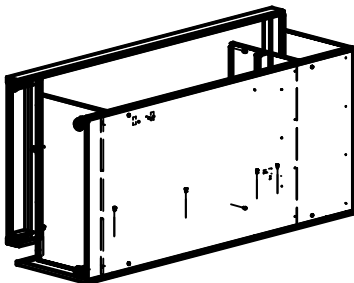
SET-UP

Prior to Assembly - Open all packaging and confirm Parts List.
Keep all parts on a protective surface during assembly to prevent scratches. 2 people required for proper assembly.



STEP 1

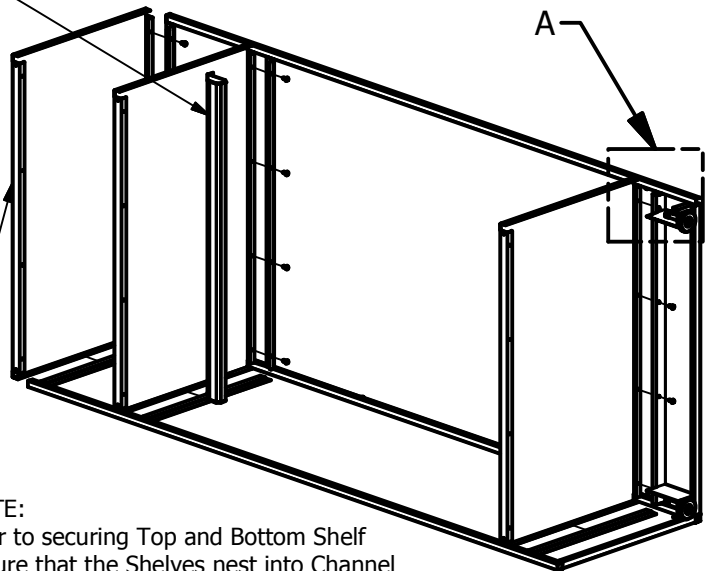
Lay Side Panel (B.2) on it's side. Shelf strips should face up. Align Back Panel (B.1) with hole locations on Side Panel. Secure parts together with supplied hardware (C).



STEP 3

With Shelf, Top and Bottom Panel installed, Position Door Kit (A) so that holes are aligned with holes on the Side Panel (B.2). Secure unit with supplied hardware (C). Also, secure Shelf (B.5) to Door Kit (A) with hardware. (Back Panel, Doors not shown for clarity.)

Confirm J-Bar Faces Front

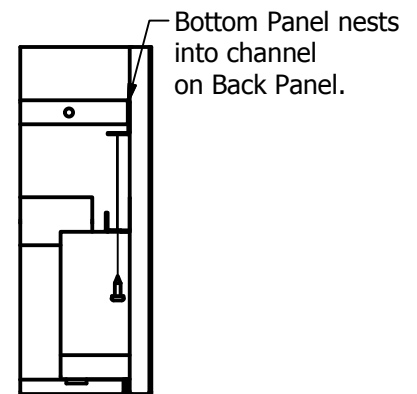


NOTE:

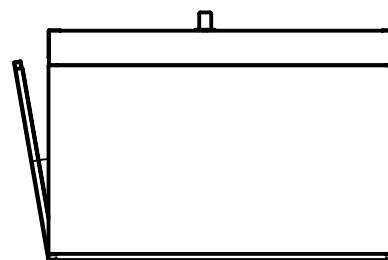
Prior to securing Top and Bottom Shelf ensure that the Shelves nest into Channel on Door Kit. Shelf may have to reverse orientation to nest into channel properly.

STEP 2

Slide Top Panel (B.4), Bottom Panel (B.4), and Shelf (B.5) into shelf holding strips on side panel. Secure into position using supplied hardware (C).



DETAIL A



STEP 4

With Door Kit installed, place unit on back. Attach remaining Side Panel (B.2), and rotate into position. Align with holes on Back Panel and Door Kit. Secure the parts with the supplied hardware (C) similarly to Step 1 and Step 3.

NOTE: (For 3-point locks):

1. Check if the Rod Grommets are not displaced or missing.
2. If the door is slightly warped, top rod of the lock may not engage easily. To adjust it, place a piece of wood (1x4 or 2x4) under the bottom of the door, and carefully push the upper lock side corner inward to the door frame.