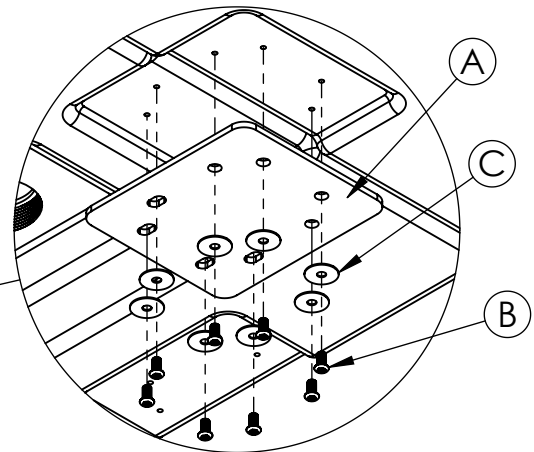
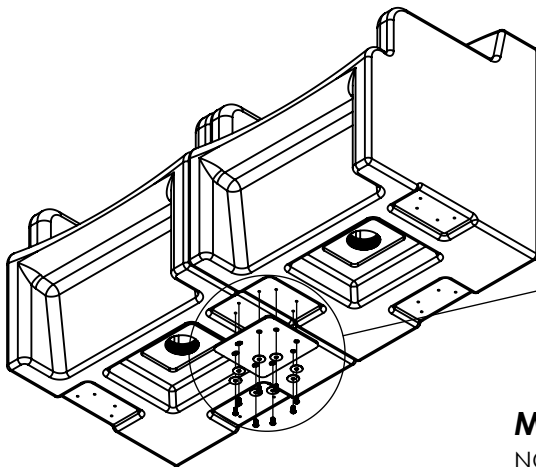


Assembly Notes: Norix is not responsible for any damage due to improper installation. If your shipment does not match the parts list, please contact Norix Customer Service at 800-234-4900. Norix reserves the right to modify design specifications at any time without an obligation to owners of previously sold products.

Parts List				Tools Needed
ITEM	QTY.	PART NUMBER	DESCRIPTION	Low RPM Variable Speed Drill
A	1	011-002	Ganging Plate	T-40, Torx Bit
B	8	021-051	Machine Screw 5/16"-18 x 5/8"	
C	8	026-002	Washer, 11/32"ID x 1.25"OD x .050"THK	

Align the ganging plate holes with bottom holes of the chairs as shown. Secure plate to chairs with (8) Machine Screws and (8) Washers. Do not overtighten.

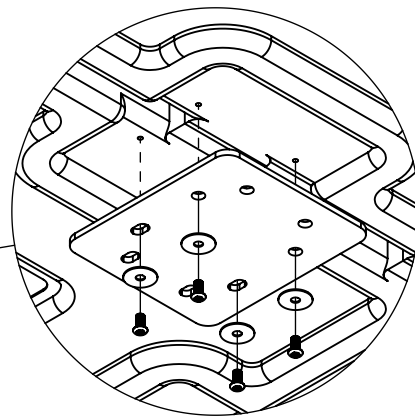
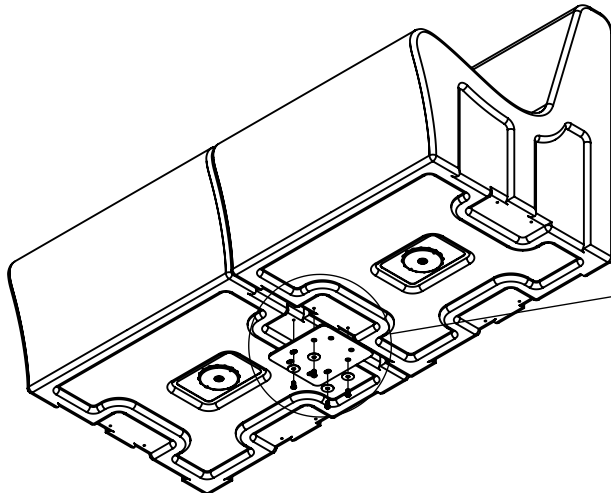
### TOUGHCARE



DETAIL A

### MEGA-MAX

NOTE: USE ONLY 4 SCREWS  
AND 4 WASHERS.



DETAIL B