

**Model Number
M100-3001**

www.norix.com • TEL 800 234-4900

Assembly Notes: Norix is not responsible for any damage due to improper installation. If your shipment does not match the parts list, please contact Norix Customer Service at 800-234-4900. Norix reserves the right to modify design specifications at any time without an obligation to owners of previously sold products.

Parts List

ITEM	QTY.	PART NUMBER	DESCRIPTION
A	1	025-013	Flat Washer, 3/4" x 3", Zinc
B	1	034-102	Leg Protector, 3" Clear

Step 1:

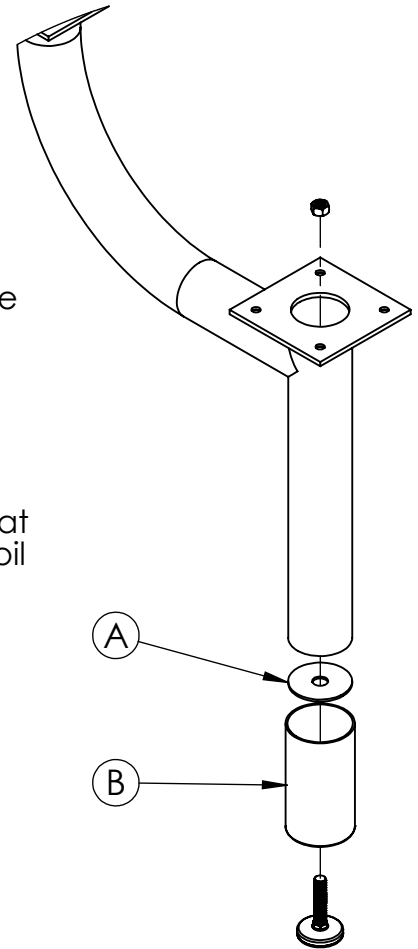
Place the table leg upside down on a protective surface to avoid scratching the floor or the table leg.

Step 2:

Place the washer on the bottom of the leg with the convex side down so that washer is positioned inside of the tube of the leg.

Step 3:

Place the leg protector over the washer and table leg and evenly push the leg protector down. It is recommended to coat the leg with a light lubricant such as household oil, or cooking oil before placing the leg protector on the leg.



Notes: If you are installing the leg protectors on tables that have been previously installed, you will need to first remove the seats using a Torx L key wrench or insert bit (size T40). For models with steel seats remove the seats using a 1/2" socket or combination wrench. On bolt down models, you will then need to loosen and remove the nut/washer assembly from the concrete anchor using a 24" socket extension with a 9/16" deep socket. On glided models, you must remove the lock nut from the glide using a 24" socket extension with a 3/4" socket. For glided models, once the lock nut is removed the glide can be unscrewed for removal. Be sure to reinstall the lock nut on glided models to prevent the removal of the glide.