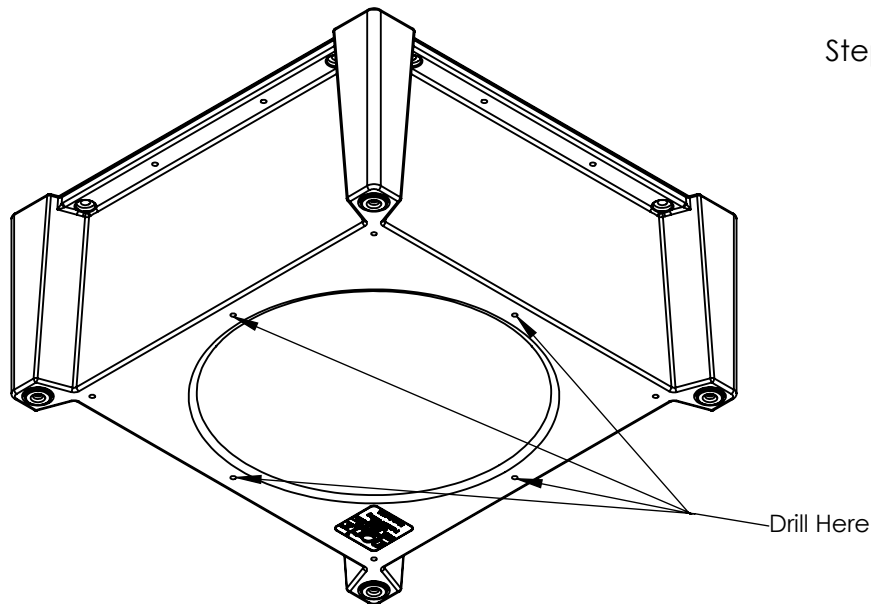


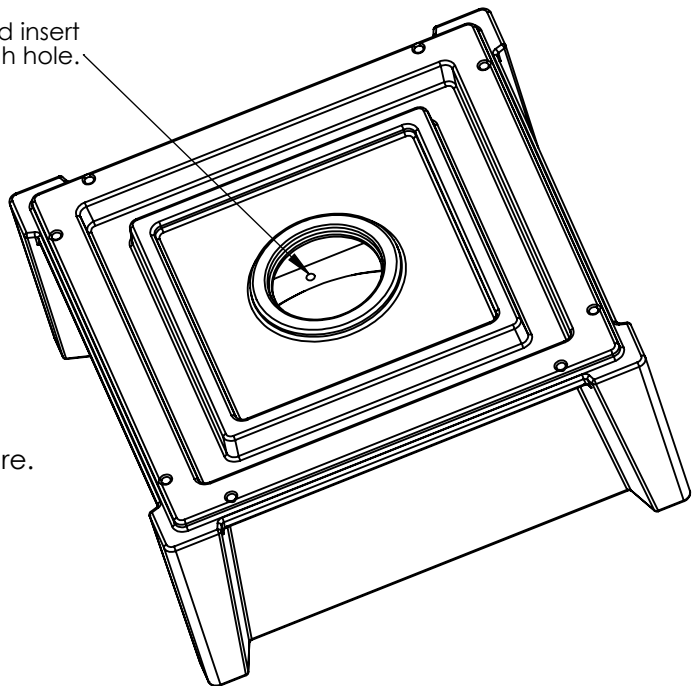
www.norix.com • TEL 800 234-4900

Assembly Notes: Norix is not responsible for any damage due to improper installation. If your shipment does not match the parts list, please contact Norix Customer Service at 800-234-4900.
Norix reserves the right to modify design specifications at any time without an obligation to owners of previously sold products.



Step 1: Drill holes at these locations

Mark location and insert
mounting hardware through hole.



Step 2: Place Base at a desired location and mark them through the holes that have been drilled.
Insert mounting hardware through the holes and secure.