

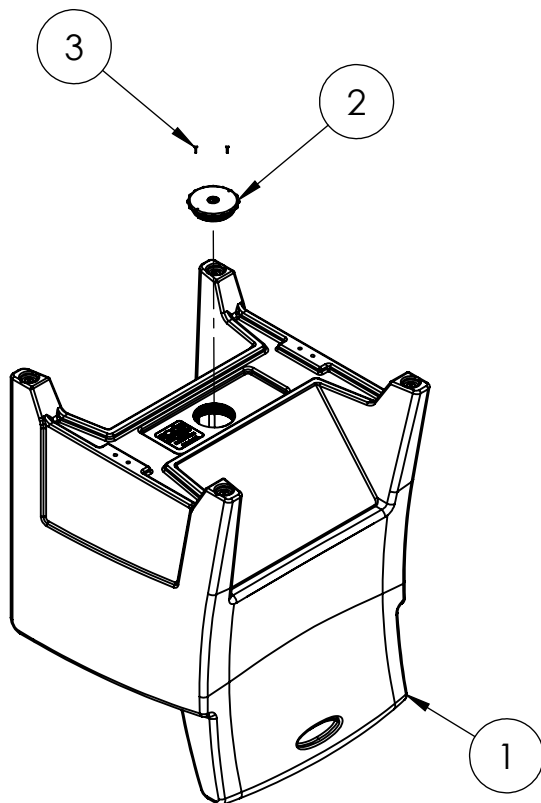
Ballasting Instructions for Rotationally Molded Chairs

www.norix.com • TEL 800 234-4900

Assembly Notes: Norix is not responsible for any damage due to improper installation. If your shipment does not match the parts list, please contact Norix Customer Service at 800-234-4900. Norix reserves the right to modify design specifications at any time without an obligation to owners of previously sold products.

PARTS LIST

ITEM NO.	QTY.	DESCRIPTION
1	1	Chair, Pull Up, w Arms
2	1	Threaded 3" Plug Roto Chairs
3	2	Screw, Machine, 1/4-20 X 1 in, BH, Pin-in-Torx®, Zinc
-	1	Pin in Torx Bit, T-20



1. Turn the Chair upside down, remove the Threaded Plug, and fill with ballast material. Norix recommends the use of clean dry pea gravel or sand for ballasting. **(Not Provided)**

NOTE:
100 LBS. BALLAST WEIGHT RECOMMENDED
200 LBS. BALLAST WEIGHT MAXIMUM

2. After adding ballast, re-install the Threaded Plug making sure that it is securely tightened.
3. Secure the Plug using the supplied #8-18 X 1" self-drilling screws. Do not over-tighten.

Turning the Chair upright may require two people.

THREADED PLUG

