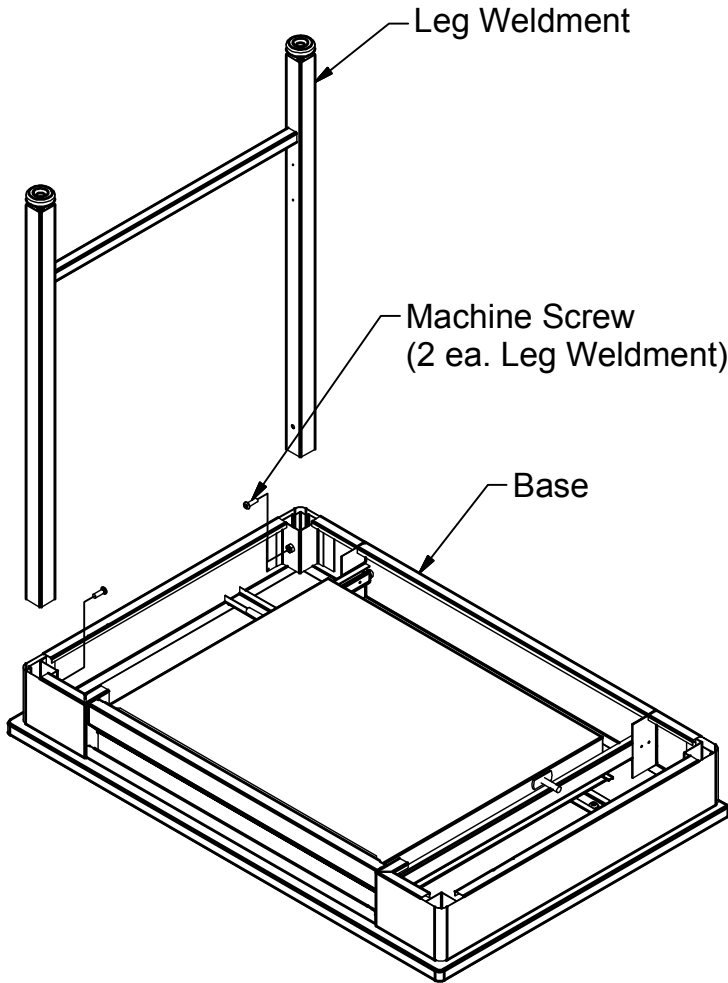


Assembly Notes: Norix is not responsible for any damage due to improper installation. If your shipment does not match the parts list, please contact Norix Customer Service at 800-234-4900. Norix reserves the right to modify design specifications at any time without an obligation to owners of previously sold products.

Tools Needed
Variable Speed Drill (optional)
Bit Driver
3/16 OR T-40 Driver



STEP 1: Assemble Legs to Base using (2) supplied machine screws on each Leg Weldment.

STEP 2: Assemble Brace using (4) supplied sheet metal screws.

