

Assembly Notes: Norix is not responsible for any damage due to improper installation. If your shipment does not match the parts list, please contact Norix Customer Service at 800-234-4900. Norix reserves the right to modify design specifications at any time without an obligation to owners of previously sold products.

## Parts List

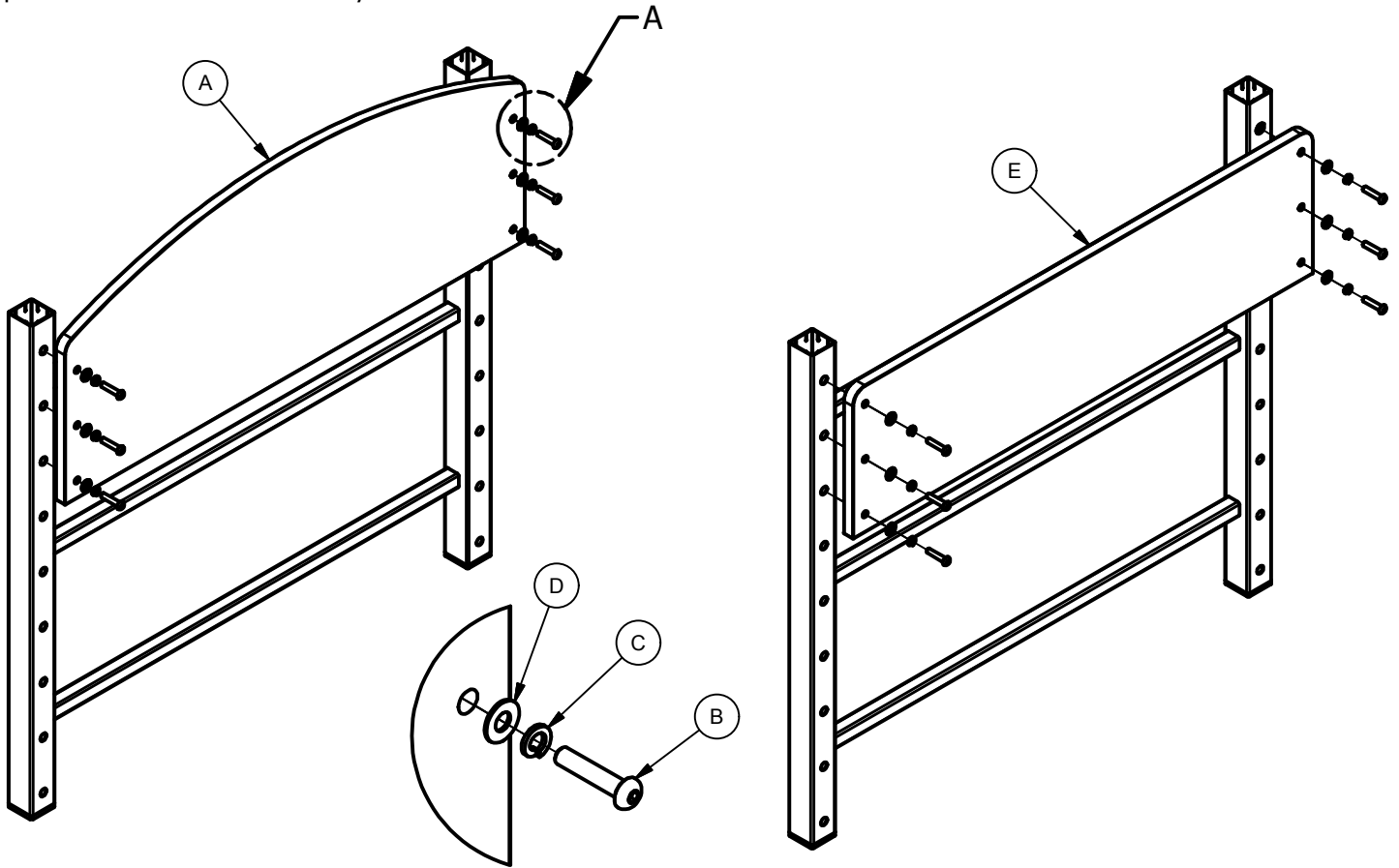
ITEM	QTY	PART NUMBER	DESCRIPTION
A	1	030-T006-XX	Headboard, Short
B	6	021-101 / 021-102	Standard: 5/16-18 x 1 1/2 Hexagon Socket Button Head Cap Screw (Zinc / Black)
B	6	021-116 / 021-007	Security: 5/16-18 x 1 1/2 Btn Hd Screw, Torx Pin (Zinc / Black)
C	6	025-011 / 025-030	5/16 Lock Washer (Zinc / Black)
D	6	025-050 / 025-031	11/32 Flat Washer (Zinc / Black)
E	1	030-T007-XX	Wood Footboard

### SET-UP

Prior to Assembly - Open all packaging and confirm Parts List. Keep all parts on a protective surface until assembly.

### Tools Needed

Low RPM Variable Speed Drill  
 3/16" Hex Driver OR T40



DETAIL A

Insert the (6) 5/16-18 x 1 1/2 Screw (B) into the six Steel End Frame locations as shown. Use Screws in combination with 5/16 Lock Washers (C) & 5/16 Flat Washers (D) as shown in detail A.