

Assembly Notes: Norix is not responsible for any damage due to improper installation. If your shipment does not match the parts list, please contact Norix Customer Service at 800-234-4900. Norix reserves the right to modify design specifications at any time without an obligation to owners of previously sold products.

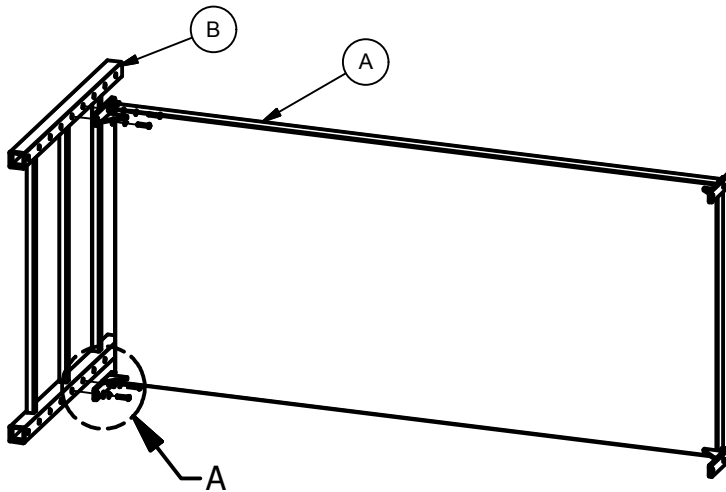
Parts List

ITEM	QTY	PART NUMBER	DESCRIPTION
A	1	037-T001-XX	Bunk Pan, KD, Titan 80 X 36
B	2	036-T001-XX	Bunkable Steel End Frame
C	8	021-101 / 021-102	Standard: 5/16-18 X 1.5" L Hex Skt Btn Head Cap Screw (Zinc / Black)
C	8	021-116 / 021-007	Security: 5/16-18 X 1.5" L, Btn Head, Torx Pin (Zinc / Black)
D	8	025-011 / 025-030	5/16 Lock Washer (Zinc / Black)
E	8	026-006 / 025-031	5/16 Flat Washer (Zinc / Black)

Tools Needed
Low RPM Variable Speed Drill
3/16" Hex Driver OR T-40

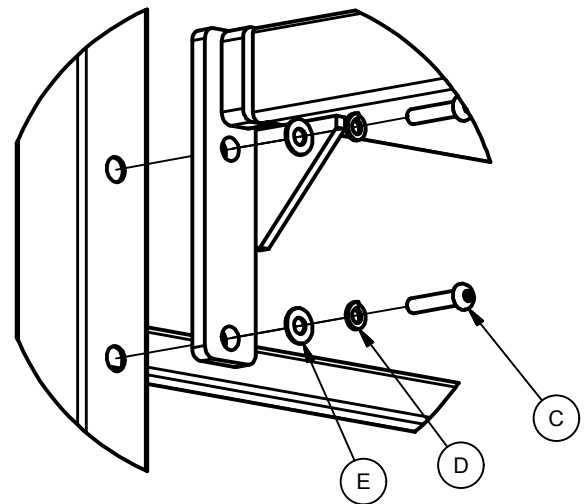
SET-UP

Prior to Assembly - Open all packaging and confirm Parts List. Keep all parts on a protective surface until assembly.



STEP 1

Establish desired height of sleep surface.
Rotate Pan (A) onto side.
Secure End Frame (B) to one end of pan using (4) Screws (C), Lock Washers (D), and Flat Washers (E) per detail A.



DETAIL A

STEP 2

Repeat step 1 for opposite end frame making certain that height is the same.