

Assembly Notes: Norix is not responsible for any damage due to improper installation. If your shipment does not match the parts list, please contact Norix Customer Service at 800-234-4900. Norix reserves the right to modify design specifications at any time without an obligation to owners of previously sold products.

PARTS LIST				Tools Needed
ITEM	QTY.	PART NUMBER	DESCRIPTION	Low RPM Variable Speed Drill
A	1	036-T208-XX	Ladder, Titan Floor, 60"	Pin-in-Torx® driver T40
B	4	021-156	Screw 5/16"-18 X 1.5" BH, Pin in Torx®, T-40, Blk. Ox.	Pin-in-Torx® driver T45
C	2	029-021	Nut, Barrel 5/16"-18 X 0.75"L, BH, Pin in Torx® T45, SST	11/32" Drill Bit
D	6	025-031	Washer, 3/8" Uss Zinc .437id 1.00od	13/32" Drill Bit
E	2	025-009	Washer, Flat, 3/8, 0.438 ID X 1.0 OD, zinc	

The Ladder can be fastened to the top bunk with two screws, and optionally fastened to the bottom bunk. To fasten to the bottom bunk, drilling through the Ladder posts and the lip on the lower bunk will be required.

1. Assemble (2) 5/16-18 Screws (B) into the threaded holes in the tabs at the top of the Ladder (A). Do not tighten all the way (Fig 1).

2. Hang the ladder over the lip of the top bunk. If the Ladder is **not** to be fastened to the bottom bunk, the two screws can be tightened at this time and the installation is complete. If fastening to the bottom bunk, proceed with the following steps.

3. Mark the locations on the Ladder posts for drilling as shown in Fig. 2, centering the holes as shown.

4. Before drilling, it may help to clamp the Ladder to the lower bunk. Drill through the Ladder poles and bunk lip at the marked locations, using an 11/32" drill bit. Remove the Ladder and enlarge the holes **in the Ladder only** using a 13/32" drill bit. Deburr the holes if necessary.

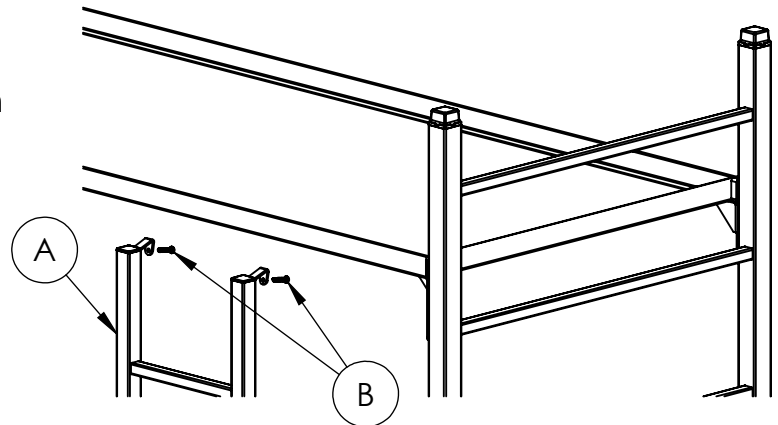


Fig. 1

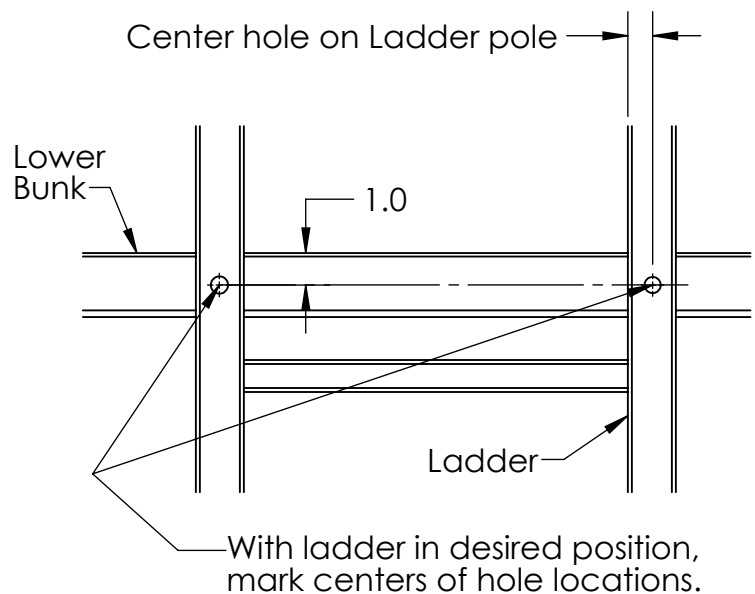
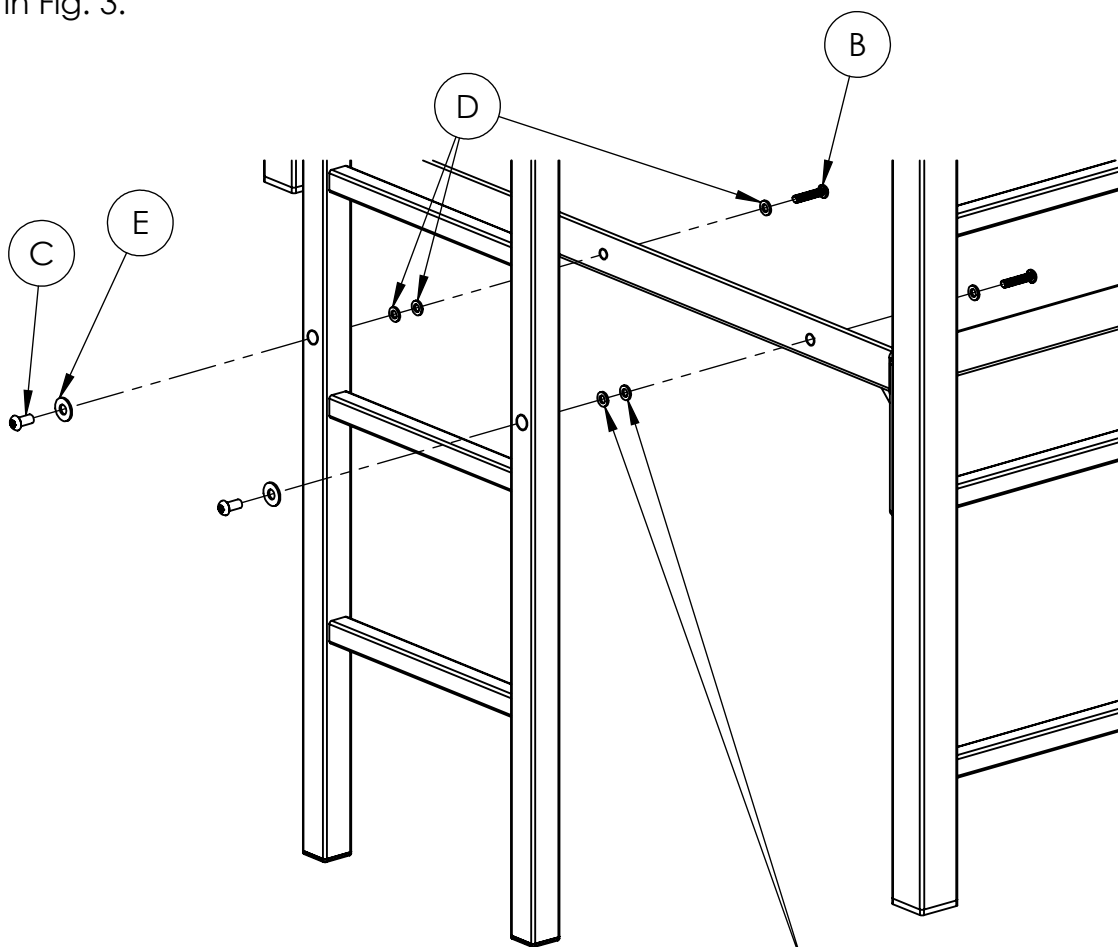


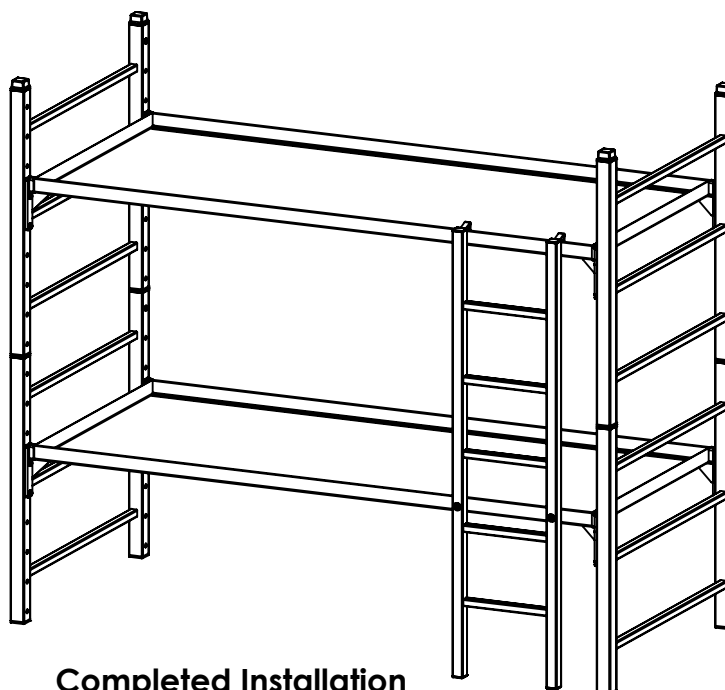
Fig. 2

5. Hang the Ladder on the upper bunk as described in Step 2 and install the hardware through the Ladder and lower bunk as shown in Fig. 3.



**Fig. 3**

These (2) washers used as spacers.



**Completed Installation**