

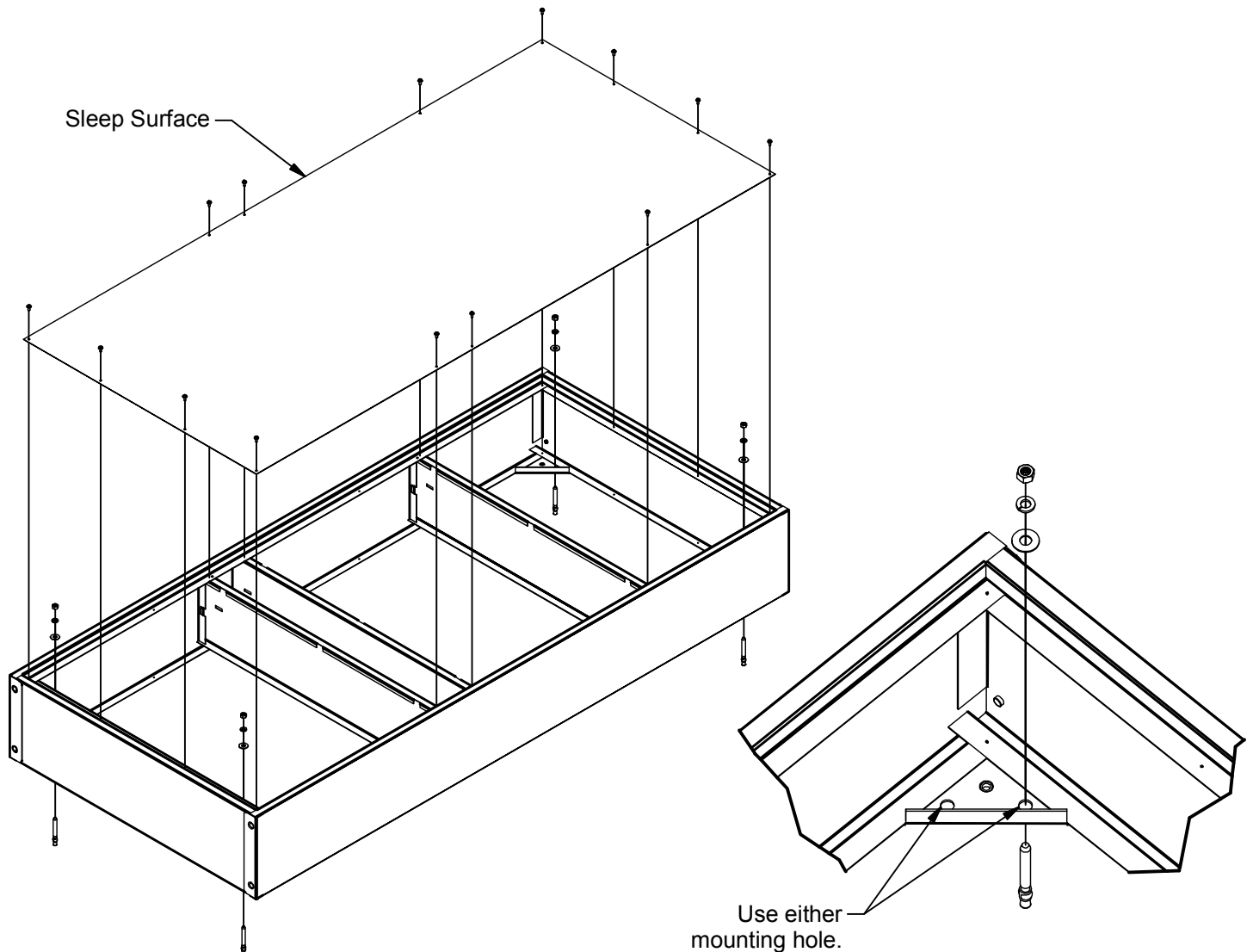
Assembly Notes: Norix is not responsible for any damage due to improper installation. If your shipment does not match the parts list, please contact Norix Customer Service at 800-234-4900. Norix reserves the right to modify design specifications at any time without an obligation to owners of previously sold products.

Tools Needed
Variable Speed Drill
Drill Bit
#2 Square Driver

### Panel Bed

1. Remove the sleep surface (14 screws) and set aside.
2. Mark the anchor hole locations on the floor. There are two anchoring holes in each corner bracket. Either hole can be used. For beds with drawers, it may be best to use the holes closest to the end of the bed, as a tall anchor could interfere with the drawer.
3. After installing anchors, tighten hardware securely and re-install Sleep Surface.

**Type of anchor to be used will vary depending on floor construction. Suggested concrete anchors are shown, but your application may require different anchoring hardware.**



## Parts List Standard Hardware

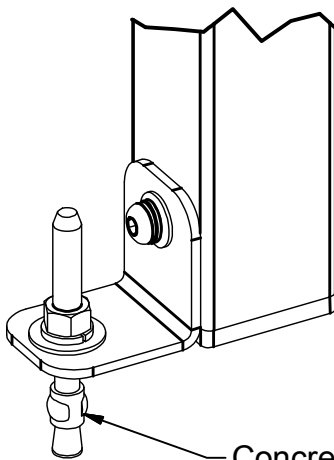
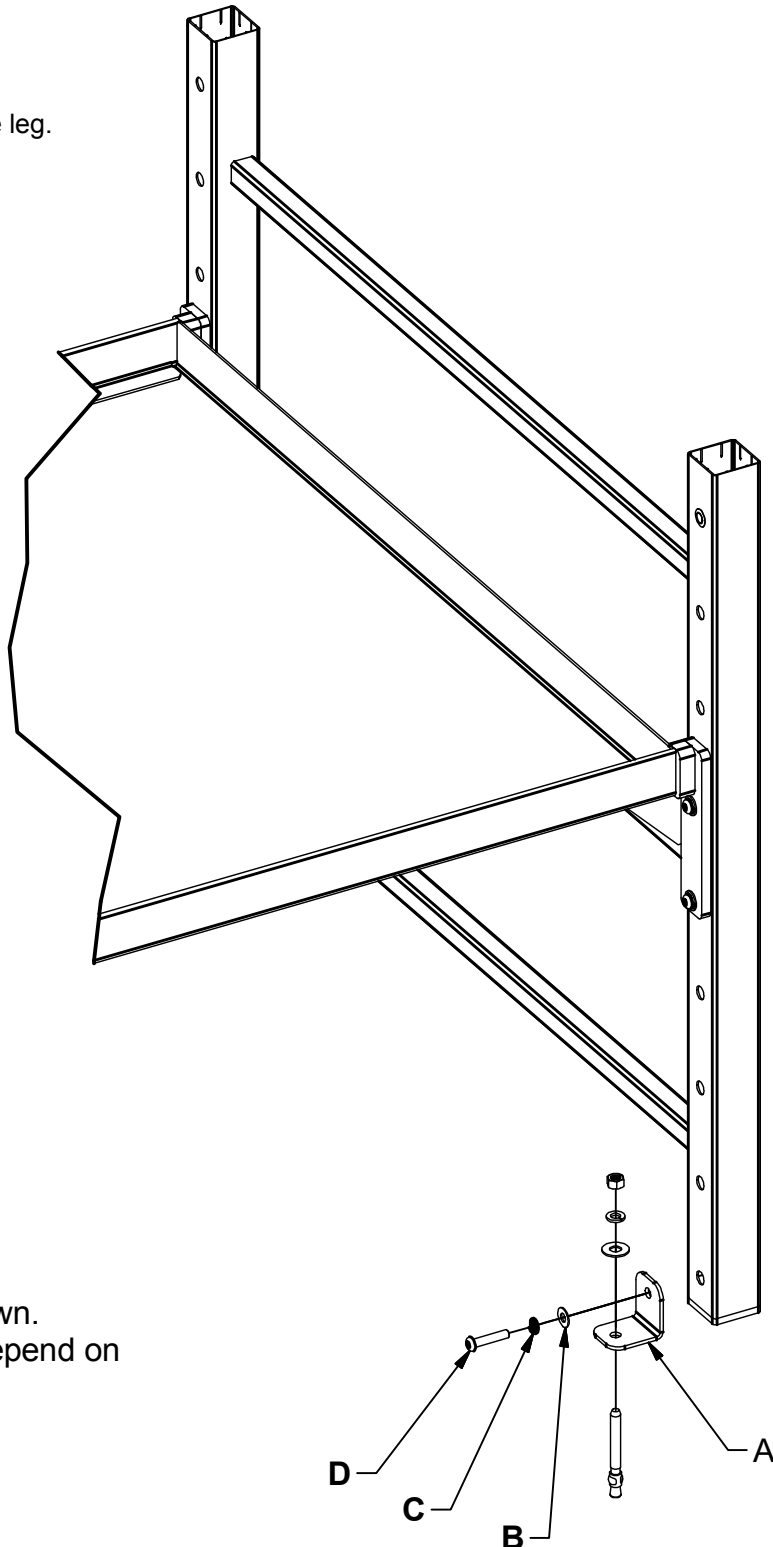
ITEM	QTY	PART NUMBER	DESCRIPTION
A	4	029-T004-0X	Titan Floor Mount Bracket
B	4	026-006 / 025-031	Washer 11/32 ID X 3/4 OD X .050 (Zinc / Black)
C	4	025-011 / 025-030	Washer 5/16 Lock, (Zinc / Black)
D	4	021-101 / 021-102	Standard: Screw, 5/16-18 X 1-1/2 L, Btn Hd, Hex Skt (Zinc / Black)
D	4	021-116 / 021-007	Security: Screw, 5/16-18 X 1-1/2 L, Btn Hd, Torx Pin (Zinc / Black)

Tools Needed
Variable Speed Drill
Drill Bit
3/16" Hex Driver or T-40

### Frame Style Bed

1. Assemble (1) Floor Mount Bracket to each End Frame leg.
2. Mark the anchor hole locations on the floor.
3. After installing anchors, tighten hardware securely.

**Type of anchor to be used will vary depending on floor construction. Suggested concrete anchors are shown, but your application may require different anchoring hardware.**



Concrete anchor shown.  
Type of anchor will depend on floor construction.

### Parts List

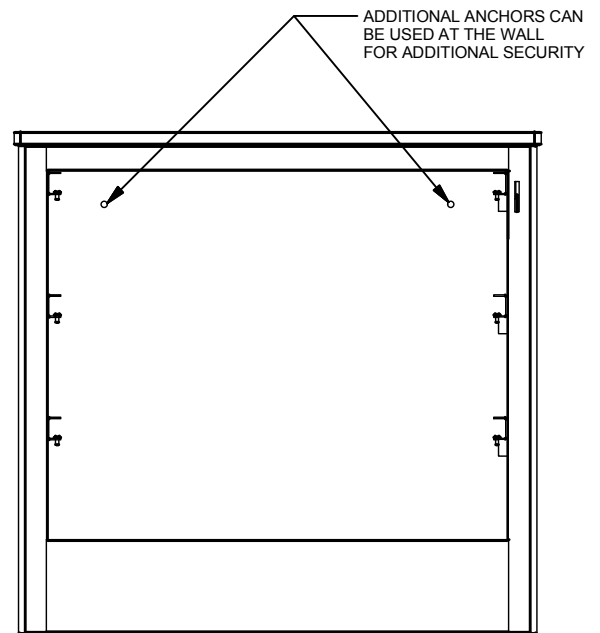
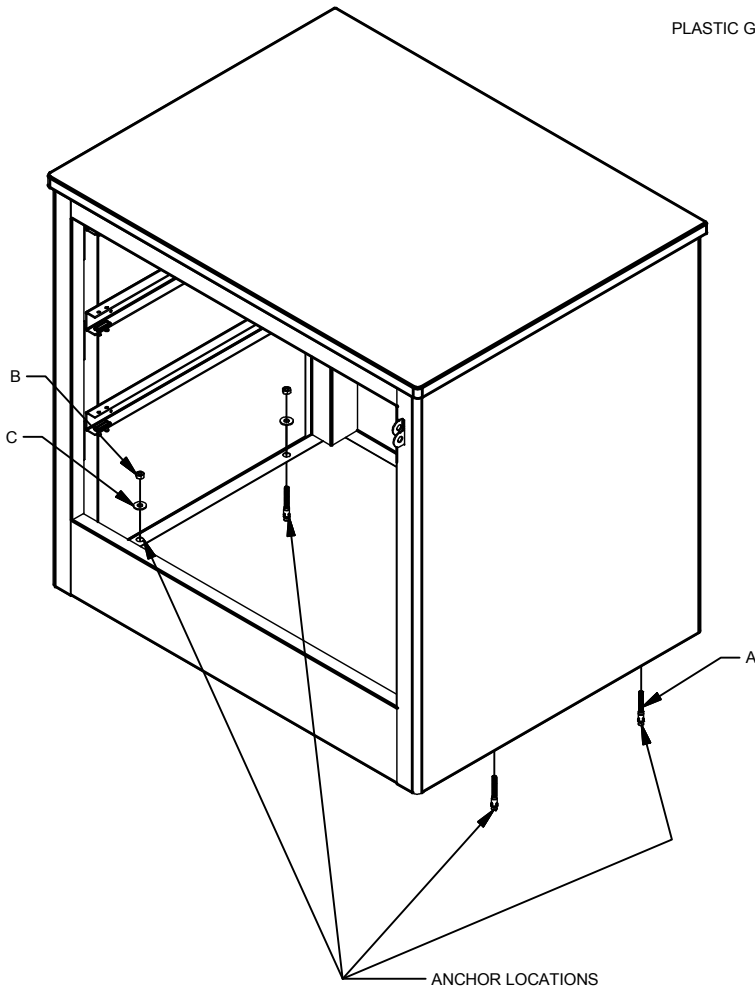
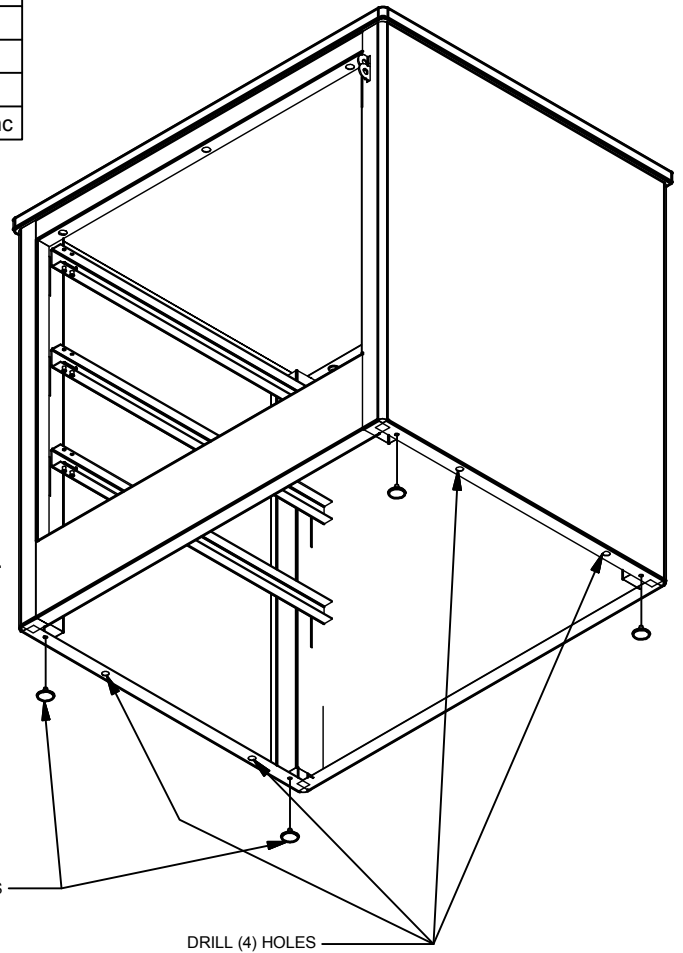
ITEM	QTY	PART NUMBER	DESCRIPTION
A	4	024-022	Anchor, Concrete Wedge, 1/4-20 X 2 1/4, Zinc
B	4	025-018	Nut 1/4-20 Centerlock
C	4	025-036	Washer, Flat, 5/16 ID x 3/4 OD x 0.065 THK, Yellow Zinc

Tools Needed
Variable Speed Drill
Drill Bit

## Chest Drawer

1. Remove Plastic Glides, if needed for a complete flush mount.
2. Remove drawers to lighten product and mark floor locations.
3. Drill (4) holes in bottom flange.
4. Mark the anchor locations and install. Tighten hardware securely.
5. Reinstall the drawers.

**Type of anchor to be used will vary depending on floor construction. Suggested concrete anchors are shown, but your application may require different anchoring hardware.**



**SEE NEXT PAGE FOR  
WOOD MOUNTING**

**Parts List**

ITEM	QTY	PART NUMBER	DESCRIPTION
A	4	022-012	Screw, Wood, 1/4in X 1 1/2in, Button Head, Pin in Torx T-27, Zinc
B	4	025-036	Washer, Flat, 5/16 ID x 3/4 OD x 0.065 THK, Yellow Zinc

Tools Needed
Variable Speed Drill
Drill Bit
T-27 Bit Driver

**Chest Drawer**

1. Remove Plastic Glides, if needed for a complete flush mount.
2. Remove drawers to lighten product and mark floor locations.
3. Drill (4) holes in bottom flange.
4. Mark the anchor locations and install. Tighten hardware securely.
5. Reinstall the drawers.

**Type of anchor to be used will vary depending on floor construction. Suggested wood anchors are shown, but your application may require different anchoring hardware.**

