

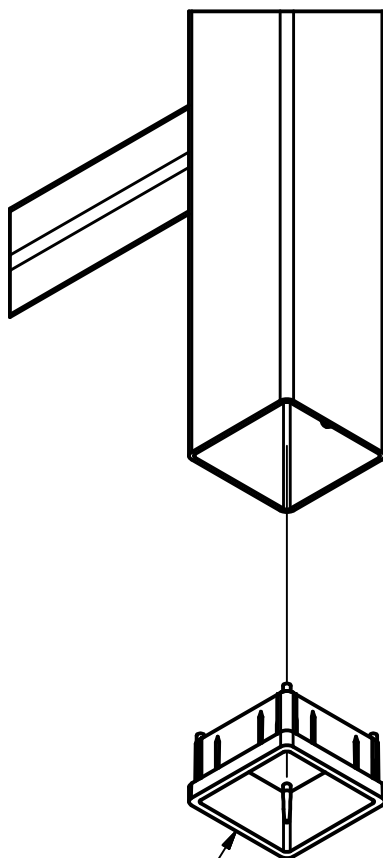
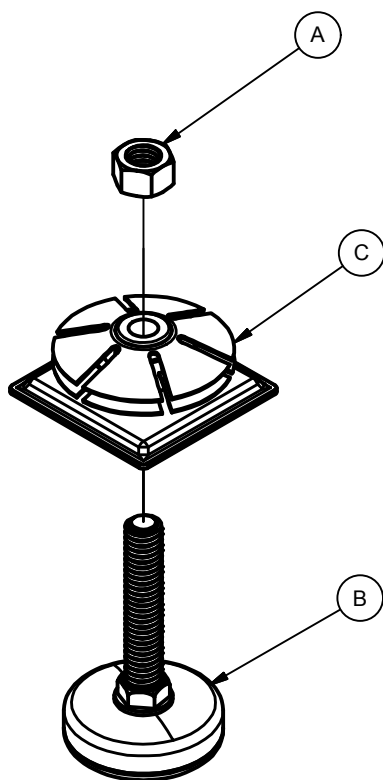
Assembly Notes: Norix is not responsible for any damage due to improper installation. If your shipment does not match the parts list, please contact Norix Customer Service at 800-234-4900. Norix reserves the right to modify design specifications at any time without an obligation to owners of previously sold products.

Parts List

ITEM	QTY	PART NUMBER	DESCRIPTION
A	4	025-001	Nut 3/8-16 Lock Zinc
B	4	029-018	Glide 3-8-16 X 2in Hex Collar Stem
C	4	029-050	Glide Mount, 3-8-16, 2 X 2 Sqr Tubing, Zinc

Step 1. Assemble the Glide together using the Nut (A), Glide (B) and Glide Mount (C) as shown. Fasten hardware securely. The Nut should stay flush with the top of the glide.

Step 2. Remove the Bottom Cap from the End Frames and replace with the assembled Glide Kit. Repeat for each corner of Bed End Frames.



REMOVE BOTTOM
CAP

