

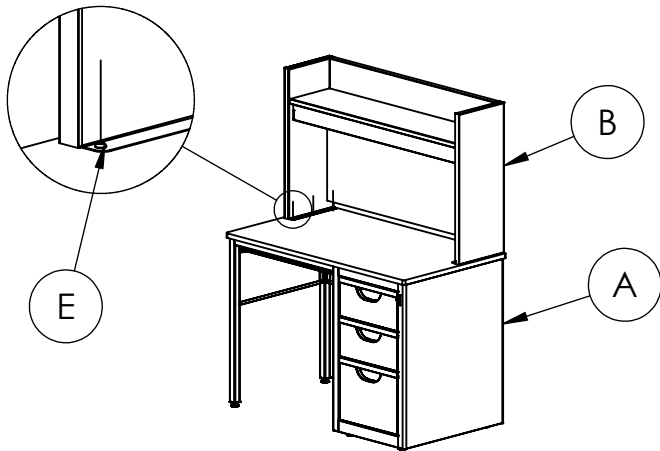
Assembly Notes: Norix is not responsible for any damage due to improper installation. If your shipment does not match the parts list, please contact Norix Customer Service at 800-234-4900. Norix reserves the right to modify design specifications at any time without an obligation to owners of previously sold products.

PARTS LIST

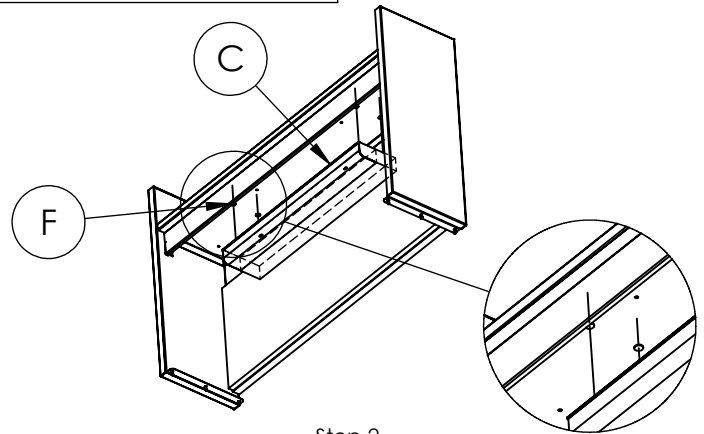
ITEM NO.	QTY	PART NUMBER	DESCRIPTION
A	1	TNT6XXX-XLY0XXX	Pedestal Desk, Rt-Ped, Locking, Non-Removeable HPL / Steel Drawers, 42"
B	1	TNT6XXX-XLYBXXX	Carrel, Titan, 42, Single Shelf, HPL for 42in Desks, W-Tack Board
C	1	TNTCL-01	Light, Fluorescent, 24" x 5" x 2"
D	1	TNTTB-4214-XX	Carrel Tack Board, 42"
E	6	021-125	Screw, Wood, #8 X 5/8" L, Pan Head, Phillips Head, Black Oxide
F	4	TNTCL-M01	Magnets, Titan Fluorescent Light

Tools Needed

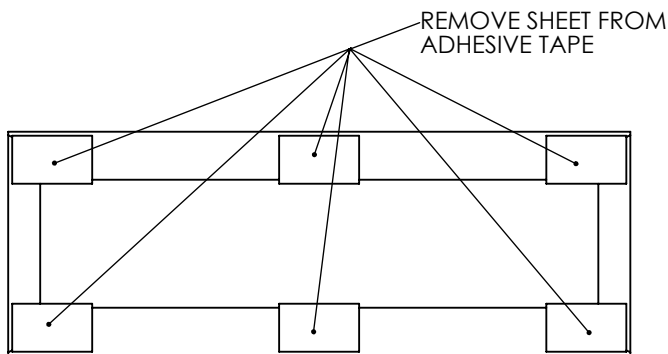
Variable Speed Drill



Step 1.
Insert (3) Self Drilling Screws (E) through the end Panel of Carrel (B) as shown. Repeat for other Panel.



Step 2.
Place (4) Magnets (F) with the adhesive side on four corners of the top of the Light Fixture (C). Place the Light Fixture to the Shelf.
(Desk not shown for clarity.)



Step 3.
Remove (6) sheets from adhesive tape on the backside of the Tack Board (D) and place the board into the Carrel (B) as shown. Align bottom of Tack Board with the bottom of Carrel back panel.

