

Assembly Notes: Norix is not responsible for any damage due to improper installation. If your shipment does not match the parts list, please contact Norix Customer Service at 800-234-4900. Norix reserves the right to modify design specifications at any time without an obligation to owners of previously sold products.

Parts List

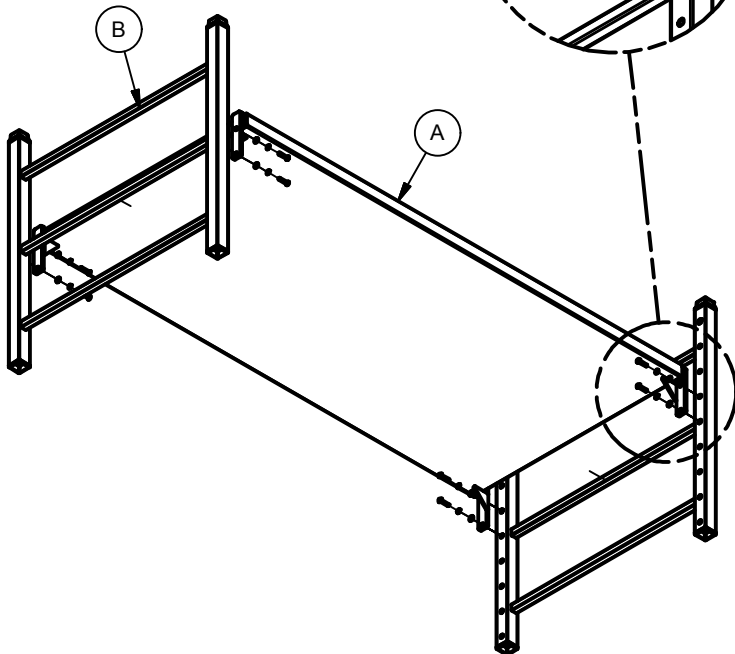
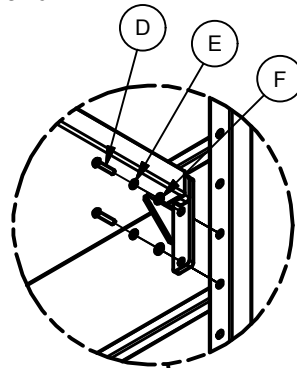
ITEM	QTY	PART NUMBER	DESCRIPTION
A	2	037-T010-XX	Bunk Pan, KD, Titan 80 X 38
B	4	036-T001-XX	Bunkable Steel End Frame
C	4	036-261-XX	Bunk Clamp, Titan
D	24	021-101 / 021-102	Standard: Screw, 5/16-18 X 1.5 L, Btn Hd, Hex Skt (Zinc / Black)
D	24	021-116 / 021-007	Security: Screw 5/16-18 X 1.5 L, Btn Hd, Torx Pin (Zinc / Black)
E	24	025-011 / 025-030	Washer 5/16 Lock (Zinc / Black)
F	24	026-006 / 025-031	Washer, Flat, 11/32 ID (Zinc / Black)
G	1	071-014	Hex Bit, 3/16
H	1	071-002	Pin in Torx Bit, T-40
I	1	071-001	Pin in Torx Bit, T-27

Tools Needed

Low RPM Variable Speed Drill
 3/16" Hex Driver OR T-40
 5/32" Hex Driver OR T-27
 Driver Extension
 Philips Head Screwdriver
 7/16" Wrench

Step 1. Assemble the End Frames (B) and Bed Pan (A) and secure it using (2) 5/16-18 x 1.5 Screw (D), (2) 5/16 Lock Washers (E), and (2) Flat Washers (F) on each corner of the Pan. Repeat for all Bunkable Beds.

Fasten hardware securely. Repeat assembly for the other bed pan and end frames.



Step 2. Assemble the Bunks together as shown and secure the bunks using (2) 5/16-18 Screws (D), (2) 5/16 Lock Washers (E) and (2) Flat Washers (F) through the Bunk Clamp (C) on each corner as shown. Fasten hardware securely.

