

Assembly Notes: Norix is not responsible for any damage due to improper installation. If your shipment does not match the parts list, please contact Norix Customer Service at 800-234-4900. Norix reserves the right to modify design specifications at any time without an obligation to owners of previously sold products.

#### PARTS LIST

ITEM NO.	QTY	PART NUMBER	DESCRIPTION
A	1	037-T00X-XX	Spring Deck, Titan
B	2	036-T001-XX	Bunkable Steel End Frame
C	8	021-102	5/16-18 x 1/1-2 Button Head-Hex Socket-Black
D	4	021-115	Screw, Machine 1/4-20 x 3/4 L, BH, Hex Socket Cap, Black
E	4	025-018	Nut, Hex, 1/4-20 Centerlock, Zinc
F	8	025-030	Lock Washer, 5/16", Split Black
G	12	025-031	Washer, Flat, 11/32 ID x 5/8 OD x 0.083 THK Black
H	2	036-268	Wedge Lock Hook, Left, Spring Deck
I	2	036-269	Wedge Lock Hook, Right, Spring Deck

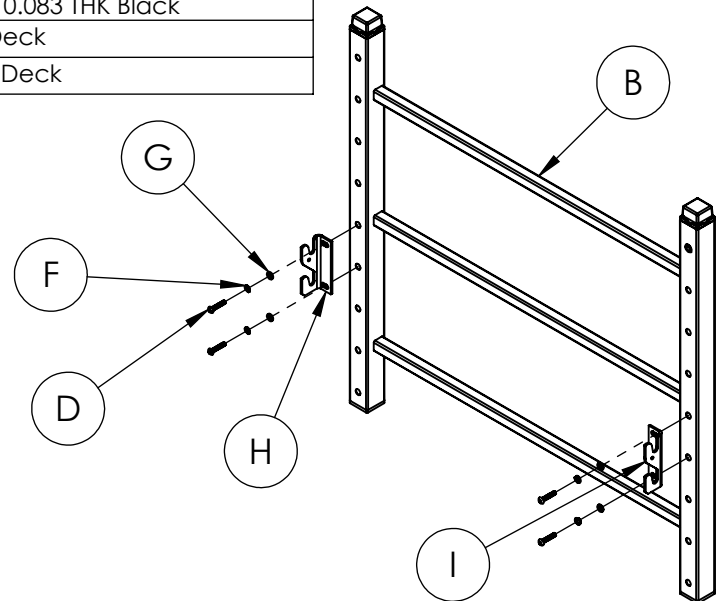
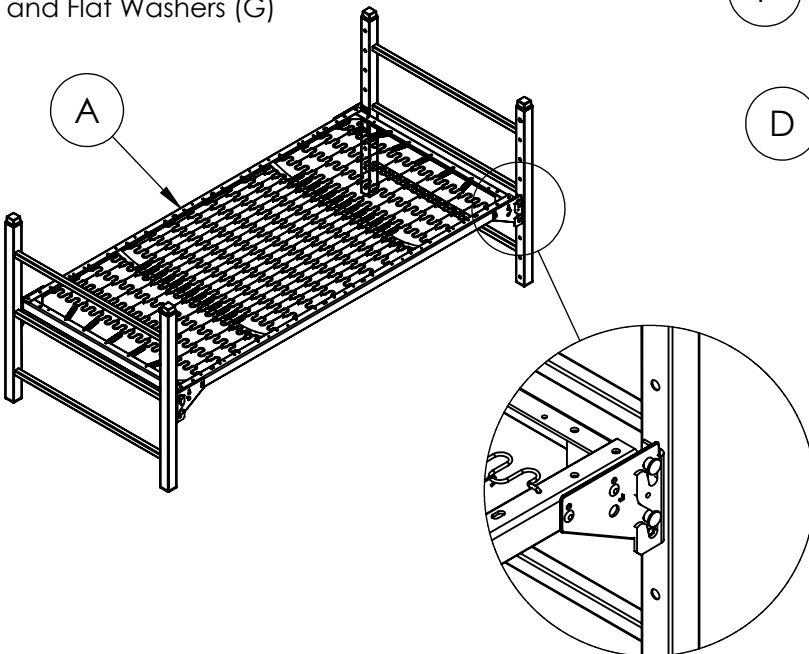
#### Tools Needed

Low RPM Variable Speed Drill

3/16" Hex Driver OR T-40

**SET-UP:** Prior to Assembly - Open all packaging and confirm Parts List. Keep all parts on a protective surface until assembly.

**STEP 1:** Establish desired height of sleep surface. Secure End Frame (B) with 2 Wedge Lock Hooks (H,I) using (4) Screws (C), Lock Washers (F), and Flat Washers (G)



**STEP 2:** Repeat step 1 for opposite end frame making certain that height is the same. Mount the Spring Deck to the End Frames Per Detail A

**Step 3:** Secure corners of Spring Deck (A) to Wedge Lock Hooks (H,I) with (1) Flat Washer (G), (1) Hex Nut (E), and (1) Machine Screw (D)

