

Assembly Notes: Norix is not responsible for any damage due to improper installation. If your shipment does not match the parts list, please contact Norix Customer Service at 800-234-4900. Norix reserves the right to modify design specifications at any time without an obligation to owners of previously sold products.

Parts List

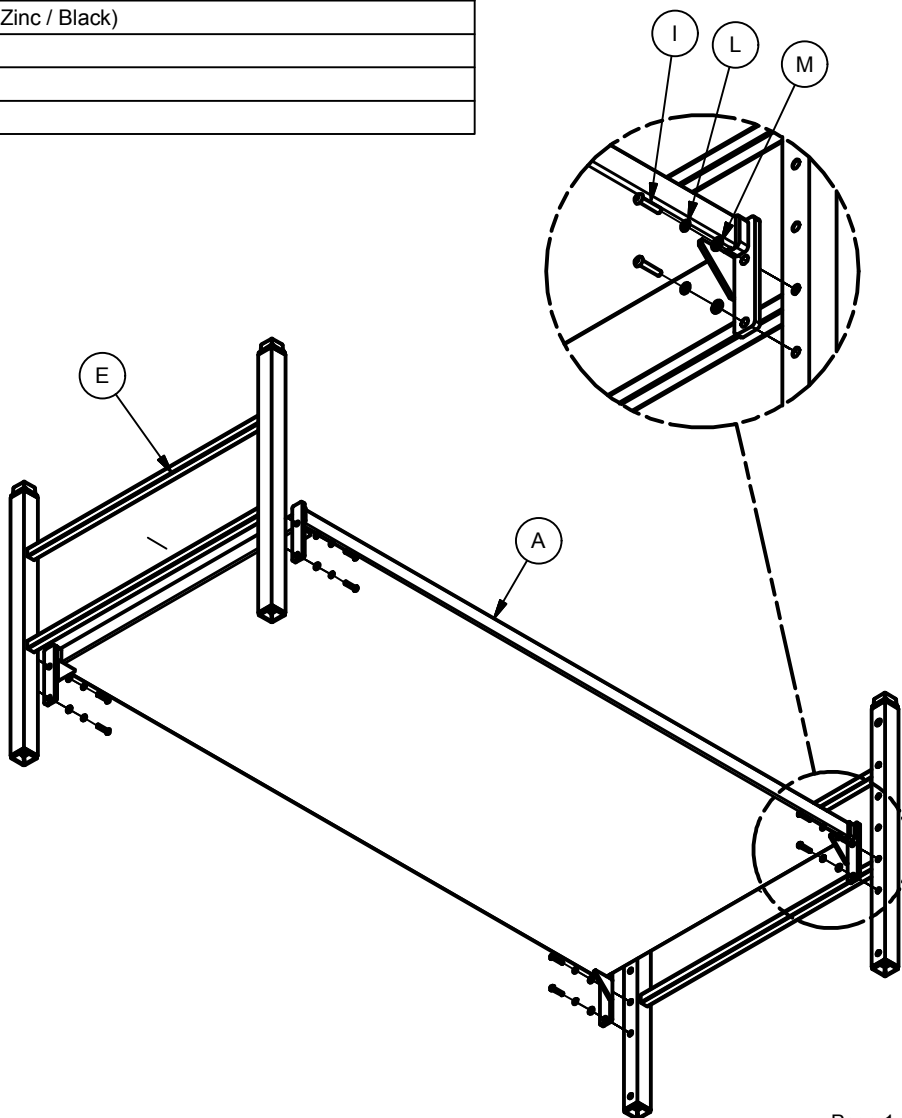
ITEM	QTY	PART NUMBER	DESCRIPTION
A	2	037-T001-XX	Bunk Pan, KD, Titan 80 X 36
B	2	030-T006-XX	Headboard, Short
C	2	030-T007-XX	Footboard, Short
D	2	030-T011-XX	Side Rail, Tall, HPL
E	4	036-T103-XX	Steel End Frame, Titan, Bunkable, CPSC
F	4	036-261-XX	Bunk Clamp, Titan
G	4	029-T005-XX	Bracket, Side Rail, Tall
H	2	029-T007-XX	Bracket, Titan, Center, HPL Bed Rails
I	44	021-101 / 021-102	Standard: Screw, 5/16-18 X 1.5 L, Btn Hd, Hex Skt (Zinc / Black)
I	44	021-116 / 021-007	Security: Screw 5/16-18 X 1.5 L, Btn Hd, Torx Pin (Zinc / Black)
J	10	021-108	Standard: Screw 1/4-20 X 3/4" L, BH, Cross Slot, Female
J	10	021-119	Security: Screw 1/4-20 X 3/4" L, BH, S-Torx, Female
K	10	021-107 / 021-115	Standard: Screw, 1/4-20 X .75, Recessed Hex Socket Cap, (Zinc / Black)
K	10	021-077 / 021-062	Security: Screw, 1/4-20 X .75, Torx Pin (Zinc / Black)
L	36	025-011 / 025-030	Washer 5/16 Lock (Zinc / Black)
M	56	026-006 / 025-031	Washer, Flat, 11/32 ID (Zinc / Black)
N	1	071-014	Hex Bit, 3/16
N	1	071-002	Pin in Torx Bit, T-40
N	1	071-001	Pin in Torx Bit, T-27

Tools Needed

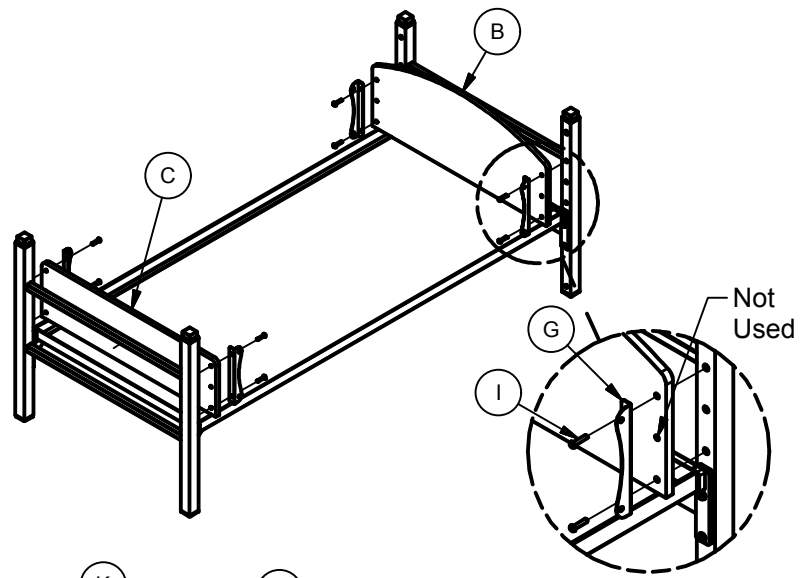
Low RPM Variable Speed Drill
3/16" Hex Driver OR T-40
5/32" Hex Driver OR T-27
Driver Extension
Philips Head Screwdriver
7/16" Wrench

Step 1. Assemble the End Frames (E) and Bed Pan (A) and secure it using (2) 5/16-18 x 1.5 Screw (I), (2) 5/16 Lock Washers (L), and (2) Flat Washers (M) on each corner of the Pan. Leave (4) holes open at top of End Frame for attaching Head/Foot boards and Bunk Clamps in a later step.

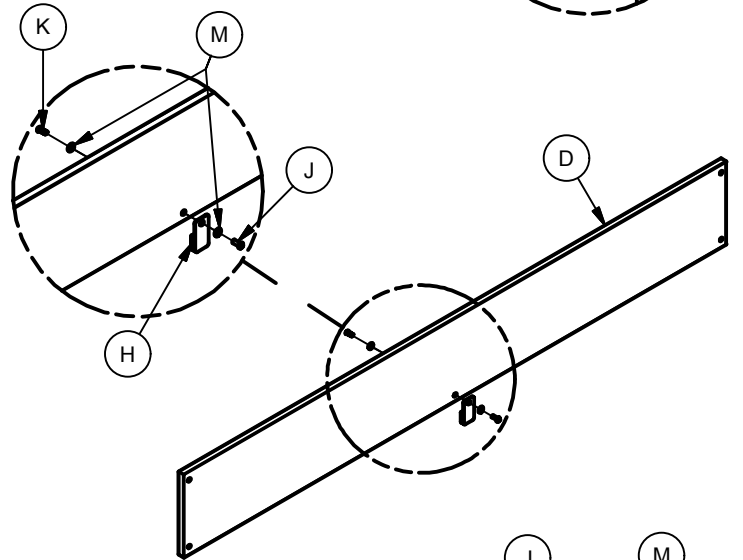
Fasten hardware securely.
Repeat assembly for the other bed pan and end frames.



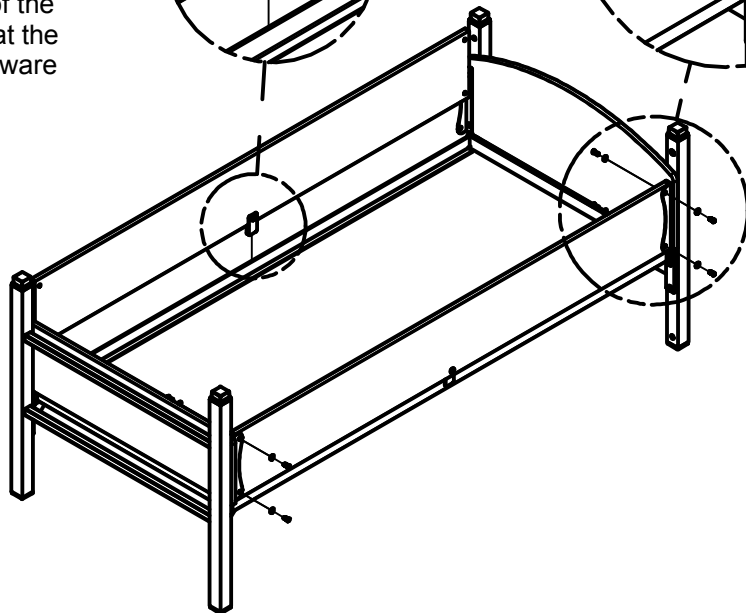
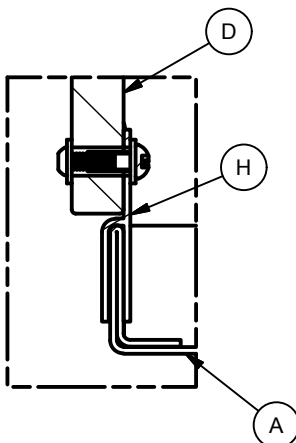
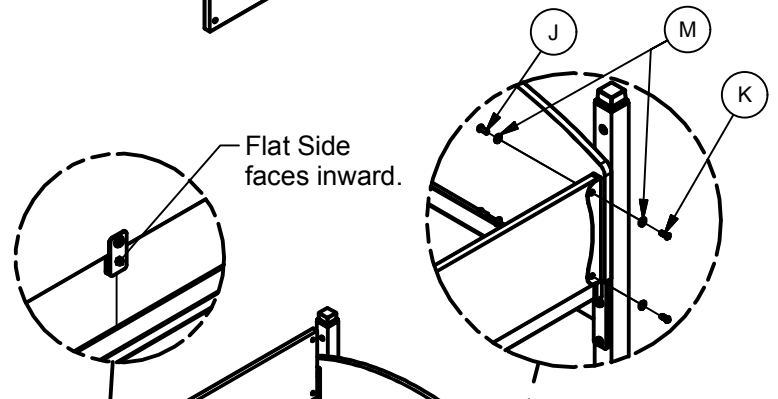
Step 2. On one assembled bunk, assemble the Head Board (B) and (2) Tall Rail Brackets (G) to either end of the End Frames. Secure the Head Board and Brackets to the Bunk using (4) 5/16-18 Screws (I) as shown. Repeat the for the Foot Board (C). Fasten hardware securely.



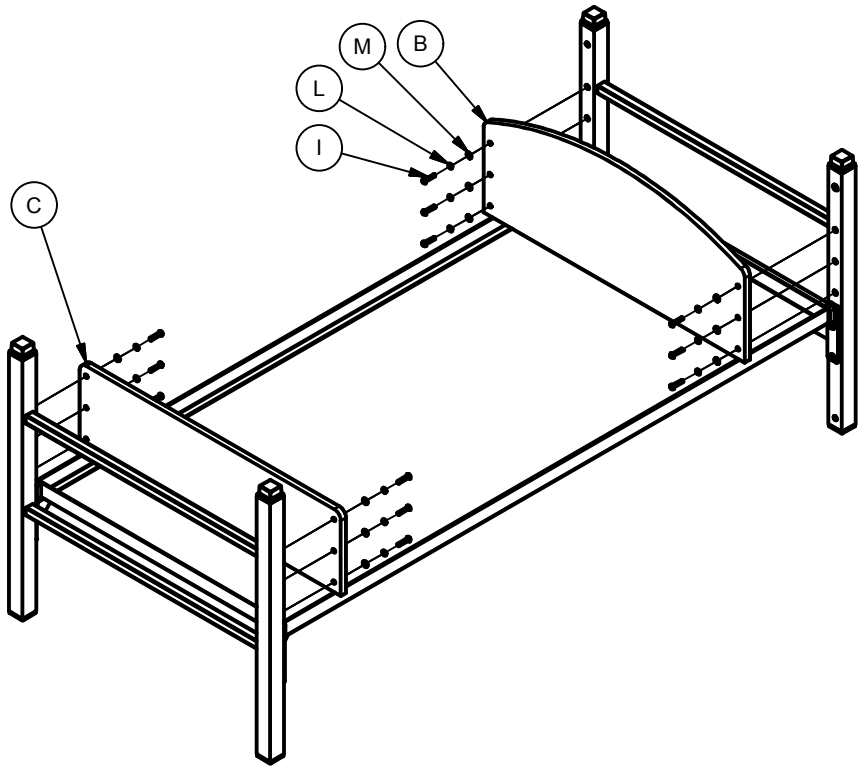
Step 3. Assemble the Bed Rail Bracket (H) to the one of the Side Rails (D) and secure it using a Female Screw (J), (2) Flat Washers (M) and 1/4-20 Screw (K) as shown. Repeat the for the other Side Rail (D). Fasten hardware securely.



Step 4. Place one of the assembled Side Rails to the Bunk and secure it using a (2) Female Screw (J), (4) Flat Washers (M) and (2) 1/4-20 Screw (K) on each corner as shown. Note the correct orientation of the Brackets in the detail and cutaway view. Repeat the for the other assembled Side Rail. Fasten hardware securely. Set the Bunk Aside when finished.



Step 5. On the other bunk, assemble the Head Board (B) to either end of the End Frames. Secure the Head Board (B) to the Bunk using (6) 5/16-18 Screws (I), (6) 5/16 Lock Washers (L) and (6) Flat Washers (M) as shown. Repeat the for the Foot Board (C). Fasten hardware securely.



Step 6. Assemble the Bunks together as shown and secure the bunks using (2) 5/16-18 Screws (I), (2) 5/16 Lock Washers (L) and (2) Flat Washers (M) through the Bunk Clamp (F) on each corner as shown. Fasten hardware securely.

