

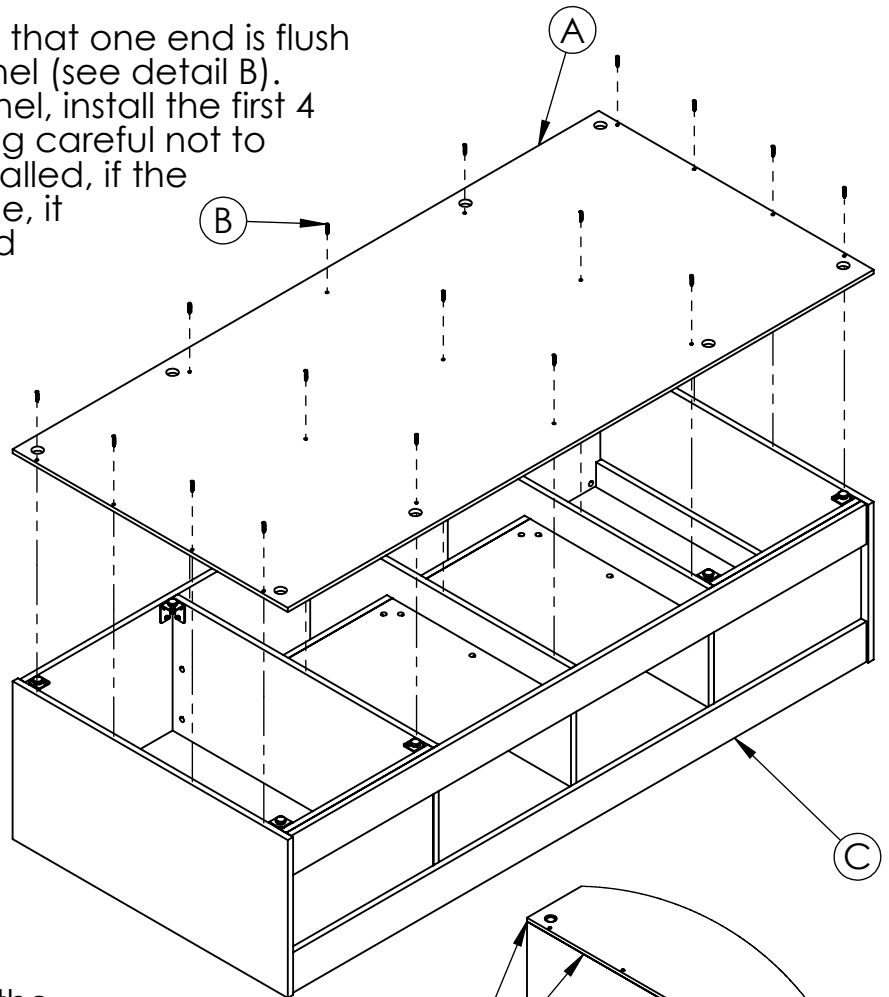
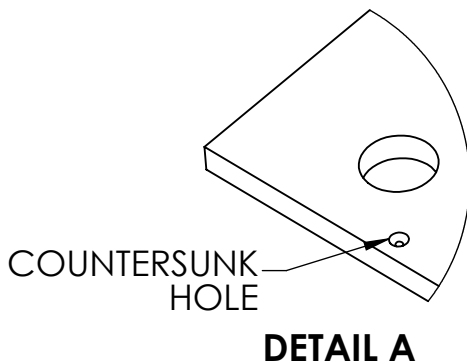
Assembly Notes: Norix is not responsible for any damage due to improper installation. If your shipment does not match the parts list, please contact Norix Customer Service at 800-234-4900. Norix reserves the right to modify design specifications at any time without an obligation to owners of previously sold products.

Parts List			
ITEM	QTY.	PART NUMBER	DESCRIPTION
A	1	050-SHU002-XX	Bed Bottom Enclosure Panel
B	17	021-174	Screw, Sheet Metal, #8 x 1 1/4 L, FH, Pin in Torx T-20, SS

Tools Needed
Electric Drill
T20 Driver Bit

**Step 1:** Position Enclosure Panel (A) on overturned Bed (C) making sure that countersunk screw holes are facing upward (see detail A).

**Step 2:** Align Enclosure Panel so that one end is flush and centered with the end panel (see detail B). While pressing down on the panel, install the first 4 screws into the end panel, being careful not to overdrive the screws. When installed, if the screw head is above the surface, it may scratch the floor when bed is upright.



**Step 3:** At the opposite end of the bed, square up the panel with the bed and install the 4 screws at that end. After the screws on the ends are installed, install the remaining screws.

