

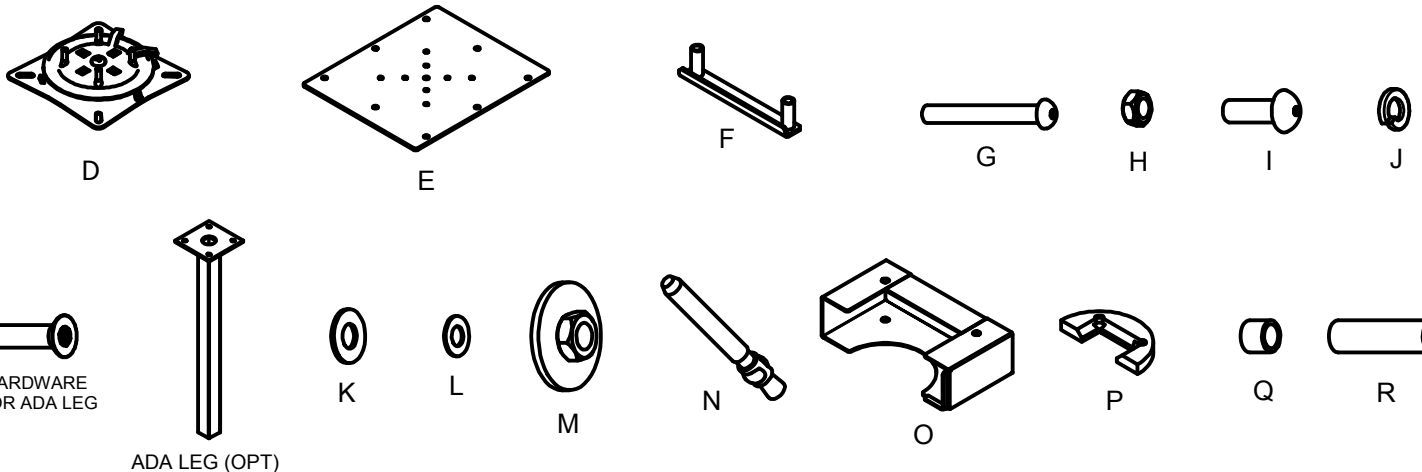
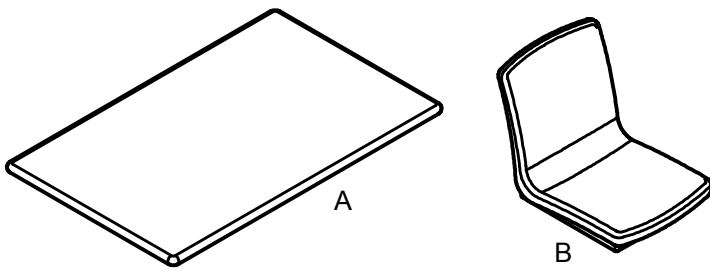
Assembly Notes: Norix is not responsible for any damage due to improper installation. If your shipment does not match the parts list, please contact Norix Customer Service at 800-234-4900. Norix reserves the right to modify design specifications at any time without an obligation to owners of previously sold products.

Parts List

ITEM	QTY	DESCRIPTION	NORIX PART NO.
A	1	Oasis Table Top (Style Option)	053-000x
B	4	Oasis Seat (Color Option)	040-320x
C	2	Oasis Leg Frame	033-3201 / 033-3202
D	4	Oasis Swivel	060-180
E	4	Oasis Seat Plate	060-193
F	4	Swivel Brace Weldment	060-181
G	16	1/4-20 x 2-1/2 Torx BH Screw	021-084
H	32	1/4 - 20 Nut	025-018
I	48	5/16-18 x 1" BH Screw	021-050
J	48	5/16 Lock Washer	025-011
K	48	11/32 Flat Washer Zinc Plate	026-006
L	32	1/4 Washer ANSI Zinc Plate	025-022
M	4	3/8-16 Nut/Flanged (Bolt-Down Only)	026-008
N	4	Concrete Anchor (Bolt-Down Only)	024-001
O	8	Oasis Seat Swivel Cover	060-187-XX
P	8	Oasis Seat Swivel Plastic Spacer	060-188
Q	8	Oasis Seat Swivel Tube Spacer, Short	060-189
R	8	Oasis Seat Swivel Tube Spacer, Long	060-190

- Two people required for proper assembly.
- All Seats, Swivels, Swivel Braces and Seat plates are interchangeable.

Tools Needed
Low RPM Variable Speed Drill
24" Socket Extension
3/8" Concrete Drill Bit
5/8" Magnetic Deep Socket
1/4" Hex Driver
Rubber Mallet
T27 & T40 Drivers
Wrenches
Thread Lock Compound (optional)
Masking Tape or equiv.
Torque Wrench

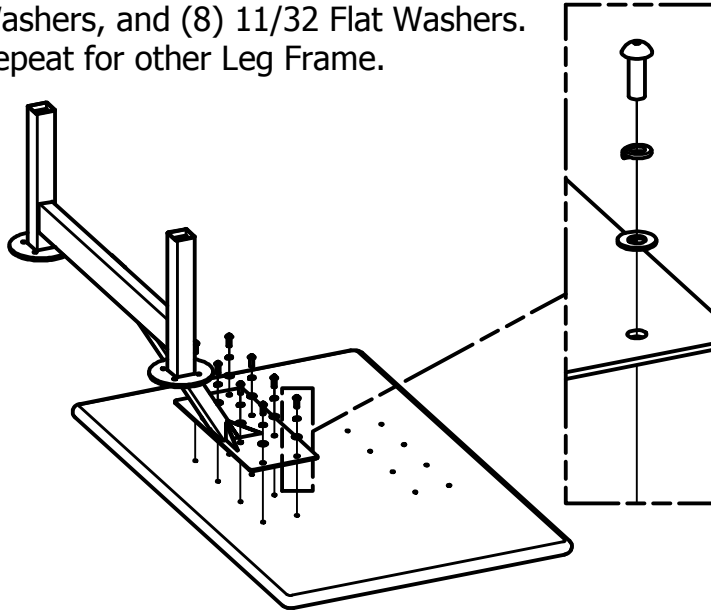


HARDWARE
FOR ADA LEG

ADA LEG (OPT)

Step 1

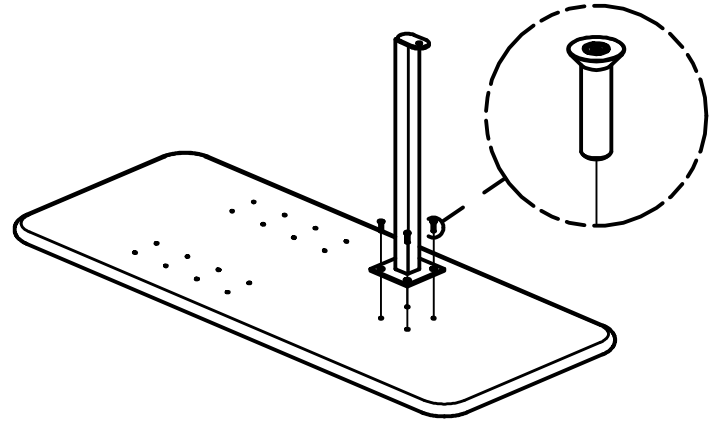
Place Table Top on protected surface. Attach Leg Frame to Table Top using (8) 5/16-18 x 1" Screws, (8) 5/16 Lock Washers, and (8) 11/32 Flat Washers. Repeat for other Leg Frame.



Step 1 - ADA Bolt Down Version Only

After securing Leg Frames, secure Oasis ADA Leg to ADA Table Top using (4) 5/16-18 x 1-1/4 FH Screws.

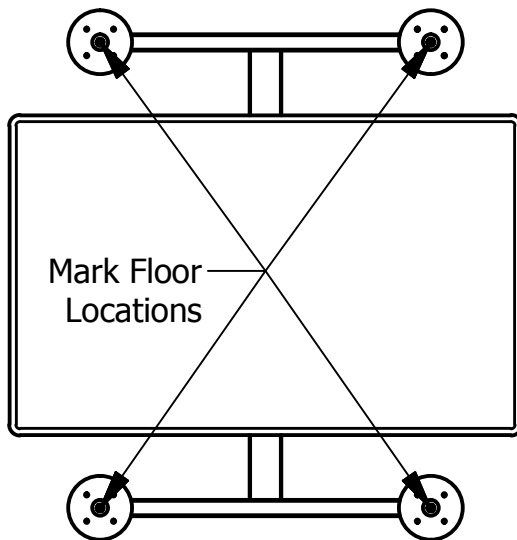
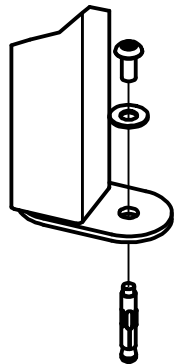
Proceed to STEP 2 including the ADA leg as a hole location to mark.



Skip steps 2 and 3 for glided leg option.

STEP 2C - ADA version only

Use Secure Bolt Anchor and 3/8 Flat Washer at ADA Leg Anchor location.



STEP 3

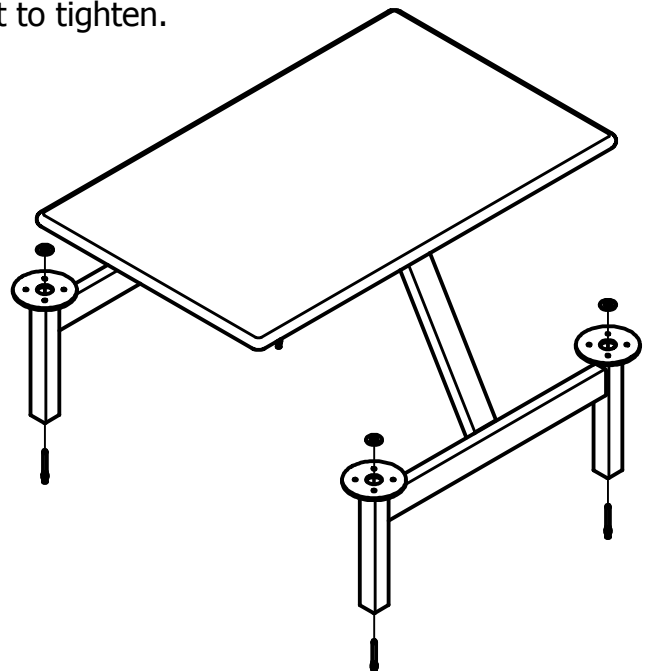
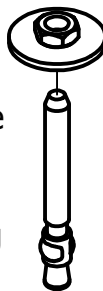
With Anchors installed place table assembly over Floor Anchors and secure with Flange Nuts. Use socket extension and magnetic socket to tighten.

STEP 2A

Position unit at final location and mark anchor locations through holes on Legs.

STEP 2B

Remove Table and drill holes in floor for Anchors. Completely remove all concrete dust. Place Flange Nut on Anchor and drive Anchors into holes using a rubber mallet. Remove Flange Nut after setting Anchor.



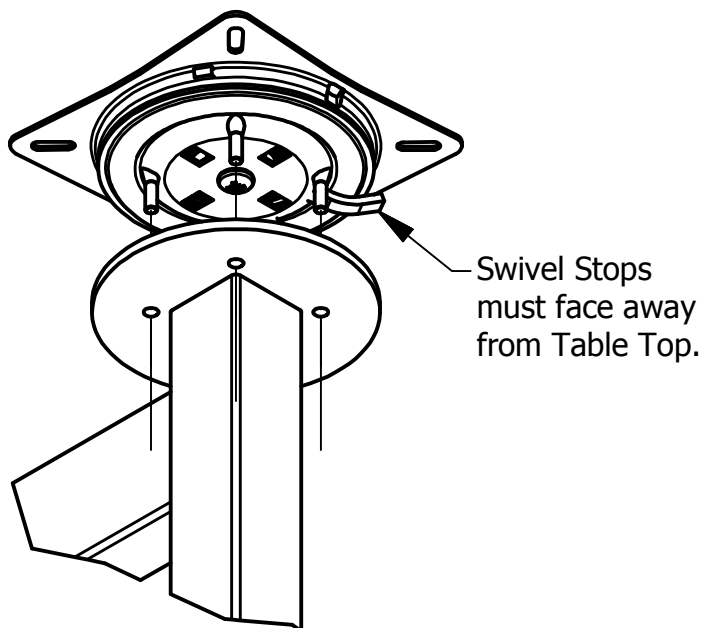
Step 4 Swivel Installation

Set Swivel onto round mounting plate, ensuring that Swivel Stops face away from table.

Loosely assemble one Plastic Spacer to Swivel studs, with counterbored holes facing away from Swivel, using (2) 1/4" Flat Washers and (2) 1/4-20 Locking Nuts. Orient the Spacers as shown, however if the seam between the two parts is oriented 90 deg., it will not affect the function.

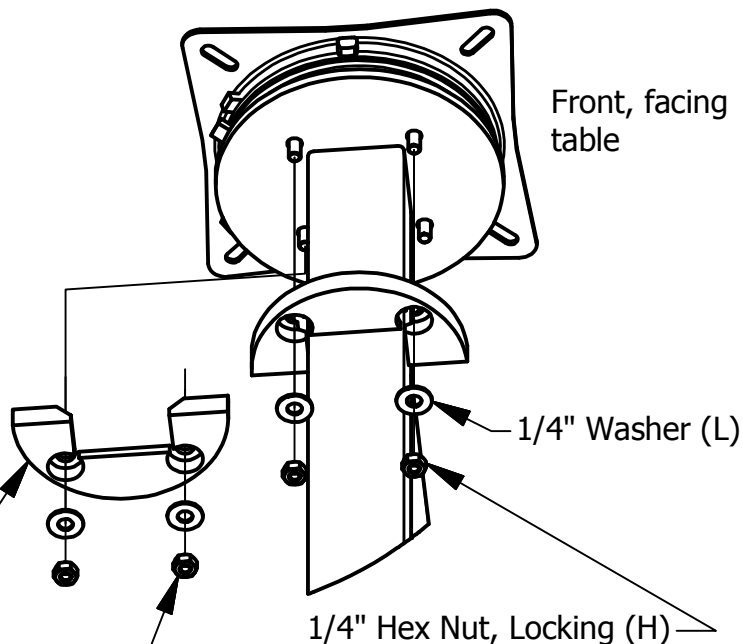
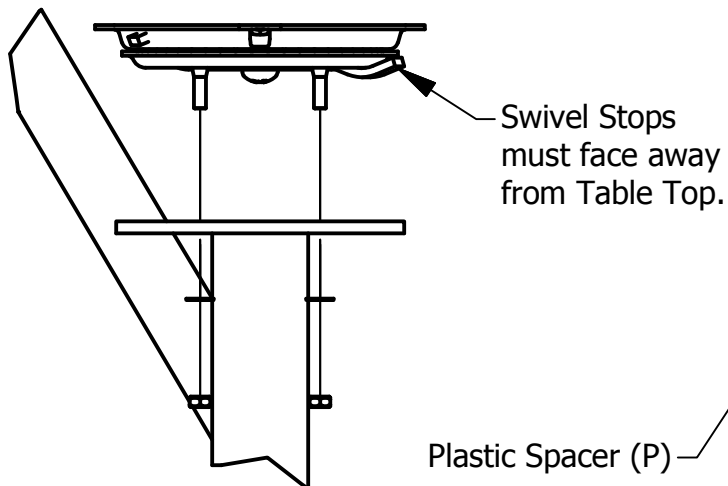
Repeat for second Plastic Spacer.

Tighten hex nuts to 85 in.-lbs. of torque (7.08 ft.-lbs.).

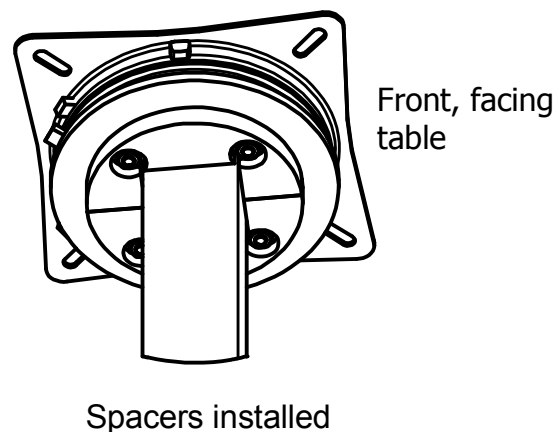


OVERTIGHTENING HEX NUTS WILL DAMAGE SWIVEL.

Repeat for 4 seat locations.



Apply 85 in.-lbs. (7.08 ft.-lbs.) torque. **OVERTIGHTENING WILL DAMAGE SWIVEL.**



Step 5 Install First Swivel Cover

The two cover parts are identical to each other.

5A) Insert (2) 1/4-20 X 2-1/2" long screws part way into the holes on the side of one of the covers with the round cutout, as shown.

5A

Insert (2) screws part-way. Round cutout

5B) Place (2) Short Spacer Tubes onto the screws, as shown.

5B

Insert Short Tube Spacers

5C) Place the Swivel Brace onto the screws, as shown. Refer to the cutaway view for correct orientation.

5C

Swivel Brace

Cutaway View

Failure to install Swivel Brace will void warranty.

Failure to install Swivel Brace will void warranty.

This cover, with Swivel Brace, must be installed on the front side of the Swivel (facing the table).

Pull the screws out just enough so that there is a space between the Swivel Brace and the inside of the cover, as shown.

Space between Brace and Cover

Angle screws and brace to install

Cutaway View

5D) Slide the cover assembly over the Swivel flange, while angling the screws and Brace slightly to allow the flange to fit between inside of the cover and the Swivel Brace tubes. This may be a snug fit, and may require a rubber mallet to tap the cover gently into place. If there is too much binding between parts, a little lubricant will help the parts slide together.

Swivel Flange

5D

Front, facing table.

Hex Nuts, Locking, loosely installed

5E) Once the cover is installed and the (2) screws can be pushed through the holes in the cover and the slots on the swivel flange, place (2) 1/4-20 Hex Nuts, Locking, loosely onto the screws to prevent them from falling out while installing the second cover.

5E

Front, facing table.

Step 6 Install Second Cover

6A) Insert (2) 1/4-20 X 2-1/2" long screws part way into the holes on the side with the round cutout, as was done with the first cover.

6B) Place (2) Long Tube Spacers over the screws, inside the cover, as shown.

6C) With the screws pulled out slightly and angled as shown, slip the cover over the swivel flange so that the tubes are captured between flange and inside cover. A rubber mallet can be used to tap the cover into place.

Once the cover is on, push the screws all the way through the swivel slots and install (2) 1/4-20 Hex Nuts, Locking, loosely onto the screws to prevent them from falling out.

6D) Square up the covers, pushing them snugly together. Actuate the swivel from side to side. There should be no binding. If any parts are binding, tap the cover assembly forward to ensure that the brace tubes are not making contact with internal parts. Swivel should swing freely approximately 60 deg. in each direction from center.

Step 7 Install Seat Plate

7A) Temporarily place masking tape over the screw heads to hold them in place. Remove the (4) hex nuts.

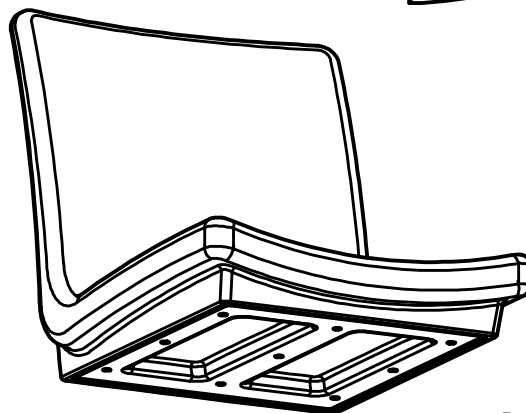
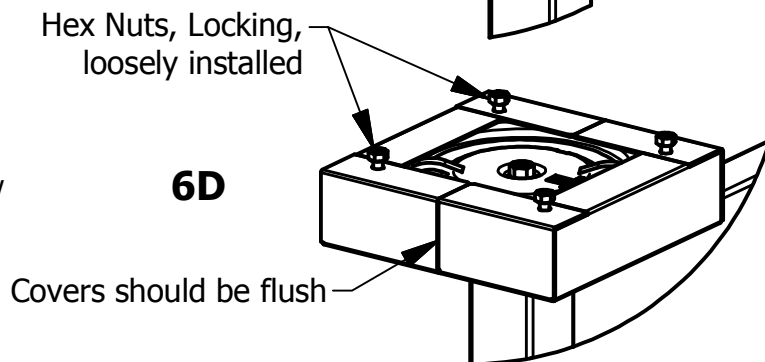
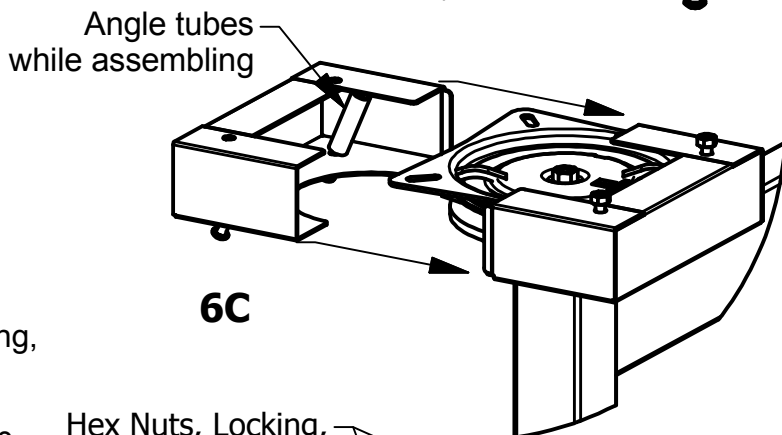
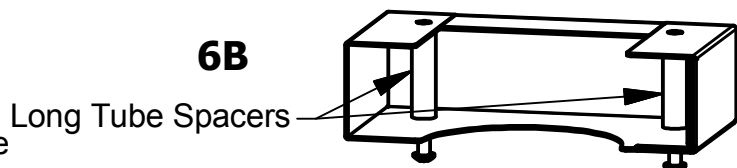
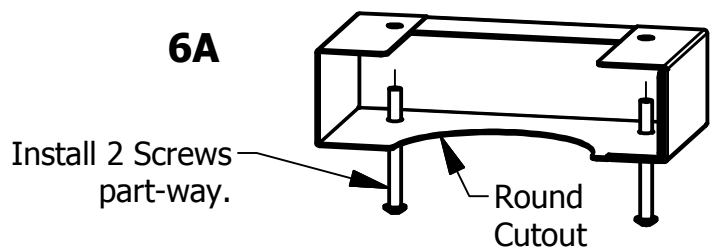
7B) Place the Seat Plate, oriented correctly, over the screws and install (4) 1/4" Flat Washers and 1/4-20 Hex Nuts, Locking. Place washers on top of plate underneath hex nuts. Snug up the hex nuts.

7C) Actuate the swivel fully in both directions and check for binding. If there is any binding, tap the cover assembly toward the front of the seat slightly. If binding still exists, situate the (2) front screws (with brace) as far forward as possible. This should eliminate any binding.

7D) Tighten the Seat Plate onto the (4) screws and check again for binding by actuating the swivel fully in both directions.

Step 8 Install Seat

Install the Seat onto the Seat Plate with (8) 5/16-18 X 1" Screws, (8) 11/32 Flat Washers, and (8) 5/16 Lock Washers. Remove tape holding screws.



7A-7D
8

