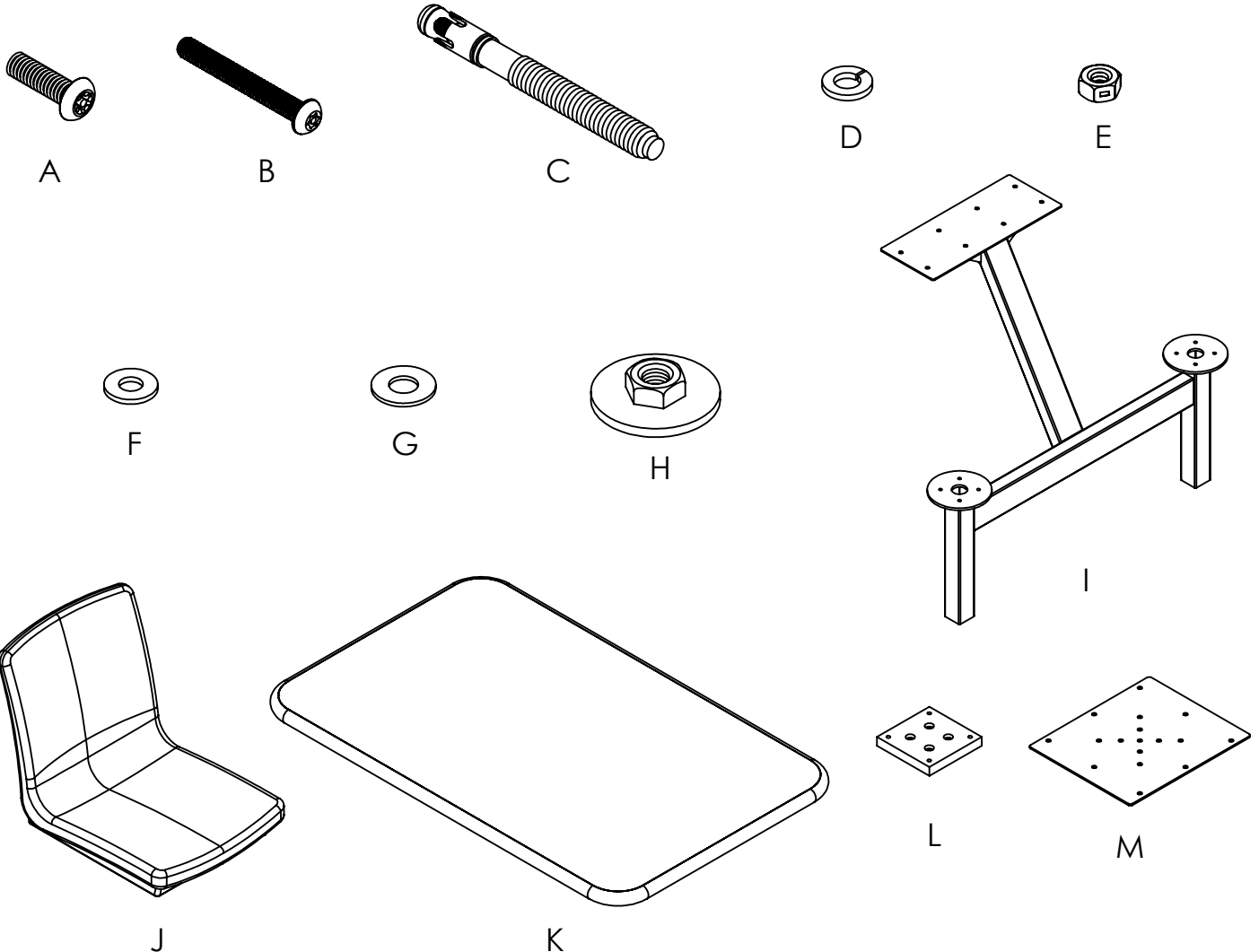
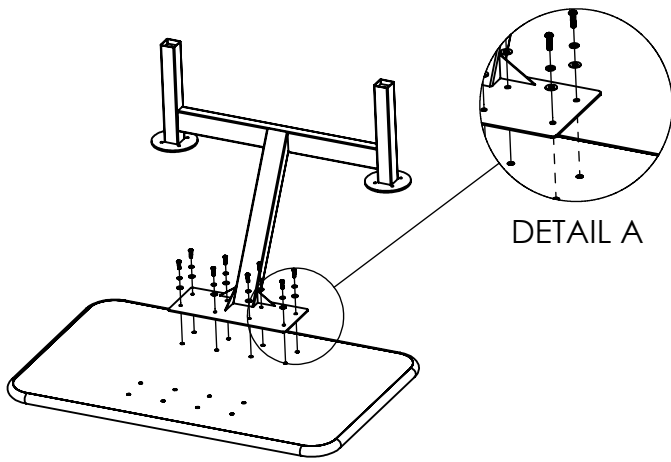


Assembly Notes: Norix is not responsible for any damage due to improper installation. If your shipment does not match the parts list, please contact Norix Customer Service at 800-234-4900. Norix reserves the right to modify design specifications at any time without an obligation to owners of previously sold products.

Parts List				Tools Needed
ITEM	QTY.	PART NUMBER	DESCRIPTION	
A	48	021-050	Machine Screw, 5/16"-18 x 1", Black Oxide	Low RPM Variable Speed Drill
B	32	021-072	Machine Screw, 1/4"-20 x 2", Zinc	5/8" Magnetic Deep Socket
C	4	024-001	Anchor, Concrete Wedge, 3/8"-16 x 3-1/2", Zinc	1/4" Hex Driver
D	48	025-011	Lock Washer, 5/16", Zinc	Rubber Mallet
E	32	025-018	Nut, Hex, 1/4"-20, Zinc	24" Socket Extension
F	32	025-022	Flat Washer, 9/32" x 5/8" x 0.065", Zinc	3/8" Concrete Drill Bit
G	48	026-006	Flat Washer, 11/32" x 3/4" x .050, SST	
H	4	026-008	Nut/Washer Assy., 3/8"-16, Zinc	
I	2	033-3201	Frame, Oasis Table, Black	
J	4	040-32XXX	Seat, Oasis, 17" Wide	
K	1	053-0001	Top, Oasis, 30x48 Plain Top ME	
L	4	060-182	Oasis Plastic Seat Spacer	
M	4	060-193	Plate, Oasis, Seat, 7Ga, Black	

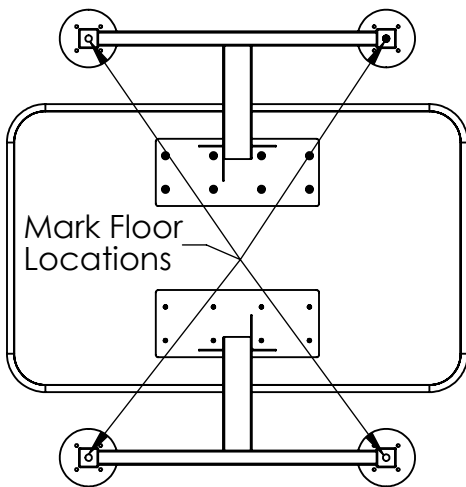




**Step 1:**

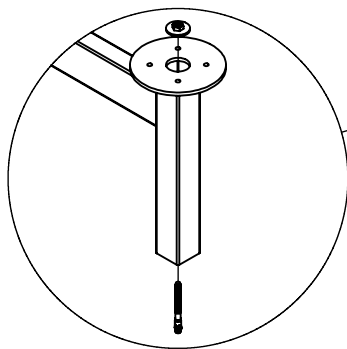
Place Table Top on protected surface. Attach Leg Frame to Table Top using (8) 5/16-18 x 1" Screws, (8) 5/16 Lock Washers, and (8) 11/32 Flat Washers. Repeat for other Leg Frame.

**Skip steps 2 and 3 for glided leg option.**



**Step 2:**

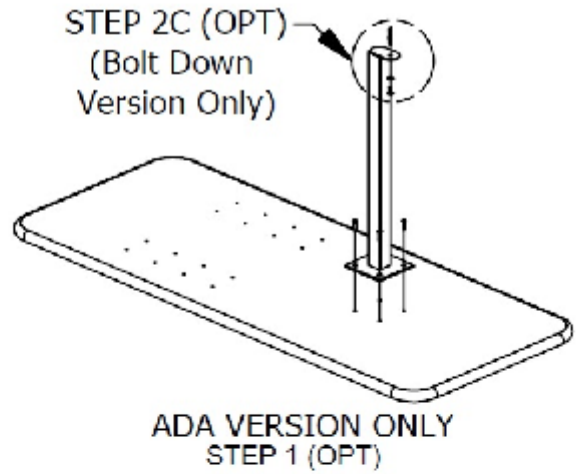
Position unit at final location and mark anchor locations through holes on Legs. Remove Table and drill holes. Completely remove all concrete dust. Place Flange Nut on Anchor and drive Anchors into holes using a rubber mallet. Remove Flange Nut after setting Anchor.



DETAIL B

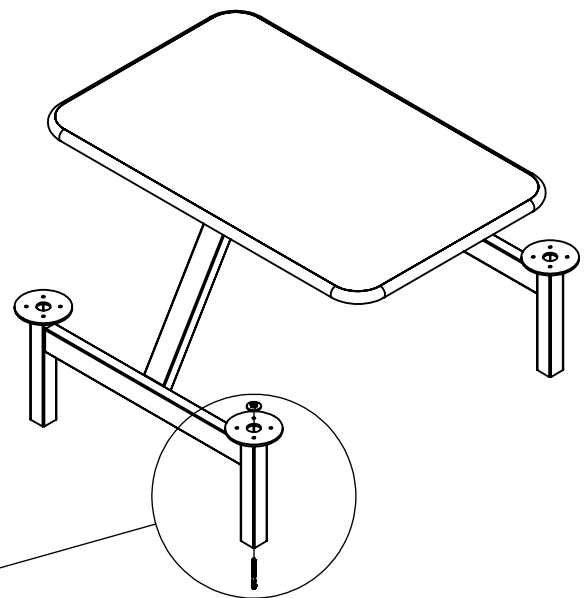
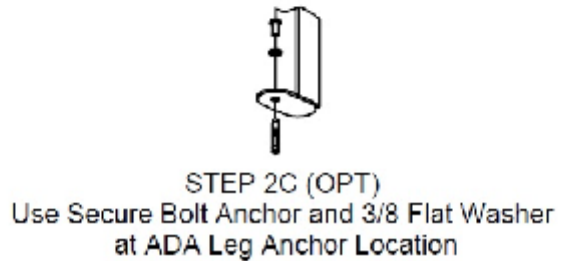
**Step 3:**

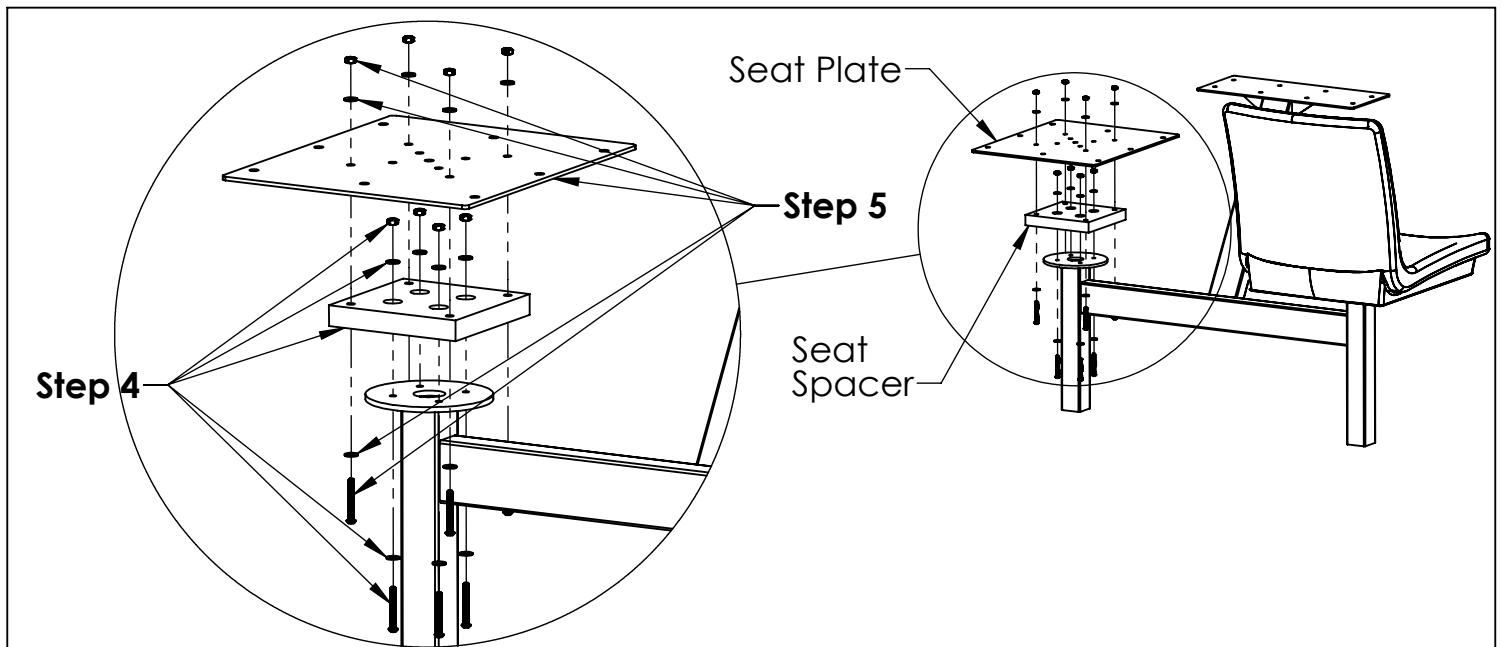
With Anchors installed slide (2) Leg Weldments over (4) Floor Anchors and secure with Flange Nuts. Use socket extension and magnetic socket to tighten.



After securing Leg Frames, secure Oasis ADA Leg to ADA Table Top using (4) 5/16-18 x 1-1/4 FH Screws.

Proceed to STEP 2 including the ADA leg as a hole location to mark.





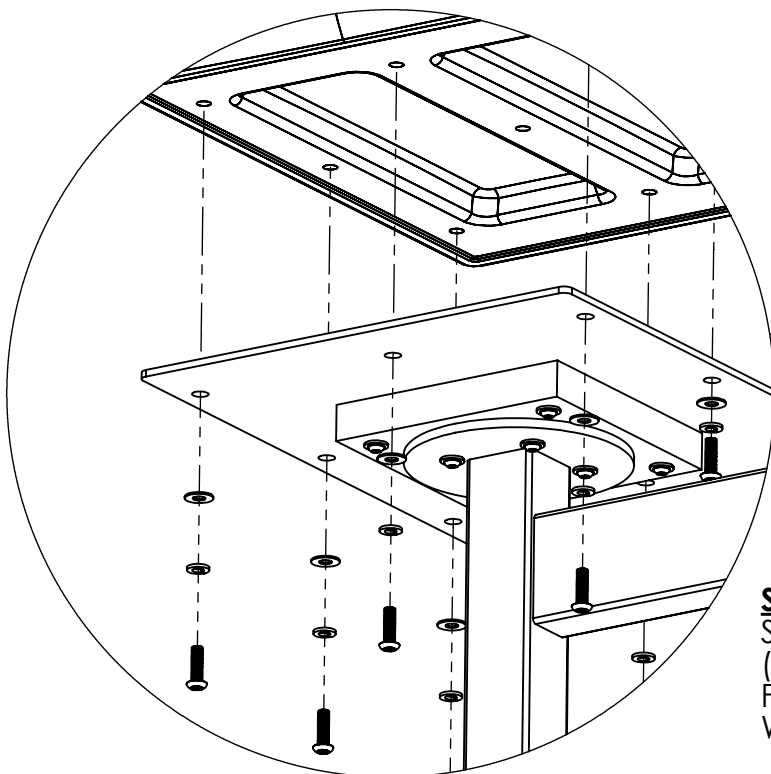
**Step 4:**

Attach Seat Spacer to Table Frame using (4) 1/4-20 x 2" BH Screws, (8) 9/32 Flat Washers, and (4) 1/4-20 Lock Nuts. The Flat washers should be placed on both sides of the spacer.

**Step 5:**

Secure Seat Plate to Spacer using (4) 1/4-20 x 2" Screws, (8) 9/32 Flat Washers, and (4) 1/4-20 Locking Nuts.

Repeat Steps 4 and 5 for other three locations



**Step 6:**

Secure Seat to Seat Plate using (8) 5/16-18 x 1" Screws, (8) 11/32 Flat Washers, and (8) 5/16 Lock Washers per Seat.

