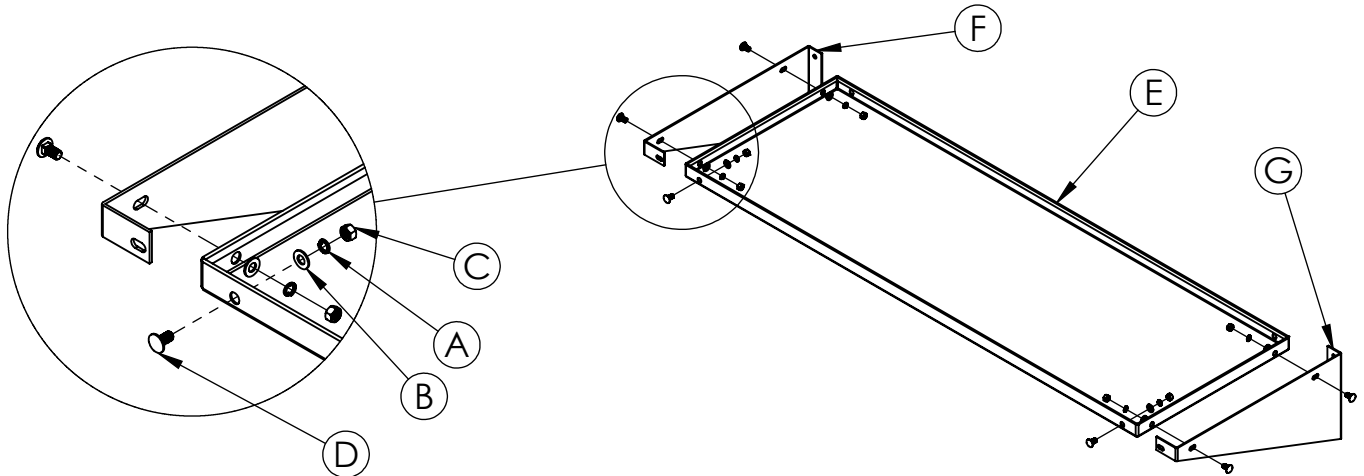


Assembly Notes: Norix is not responsible for any damage due to improper installation. If your shipment does not match the parts list, please contact Norix Customer Service at 800-234-4900. Norix reserves the right to modify design specifications at any time without an obligation to owners of previously sold products.

Parts List				Tools Needed
ITEM	QTY.	PART NUMBER	DESCRIPTION	3/4" Combination Wrench
A	6	025-004	Lock Washer, 1/2", Zinc	
B	6	025-008	Flat Washer, 17/32"x 1-1-16" x 0.083" Zinc	
C	6	026-003	Nut, 1/2-13, Zinc	
D	6	026-005	Carriage Bolt, 1/2"-13x1.0"L, Zinc	
E	1	037-026	Bunk Pan, Hemmed	
F	1	060-165	Left Bracket, Wall Mount Bunk, Grey	
G	1	060-166	Right Bracket, Wall Mount Bunk, Grey	

Step 1:

Place the bed pan upside down on a soft, flat protective surface.



Step 2:

Place a wall bracket upside down over the outer corners of the bed pan. Insert the carriage bolt from the outside through the rectangular hole in the bracket and into the bed pan. Place the lock washer and nut on the bolt and tighten by hand. Repeat the procedure for the 2 other bolts on the bracket. Then repeat the procedure for the other bracket.

