

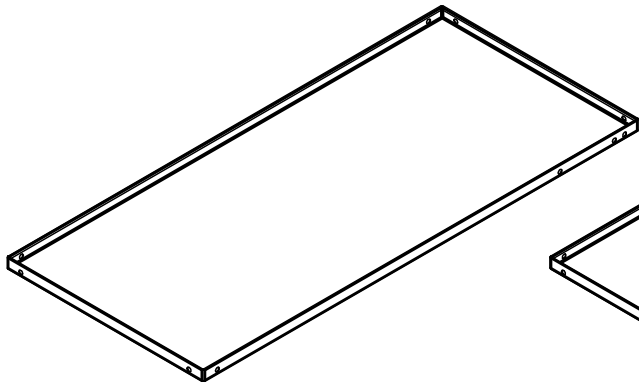
Assembly Notes: Norix is not responsible for any damage due to improper installation. If your shipment does not match the parts list, please contact Norix Customer Service at 800-234-4900. Norix reserves the right to modify design specifications at any time without an obligation to owners of previously sold products.

### PARTS LIST

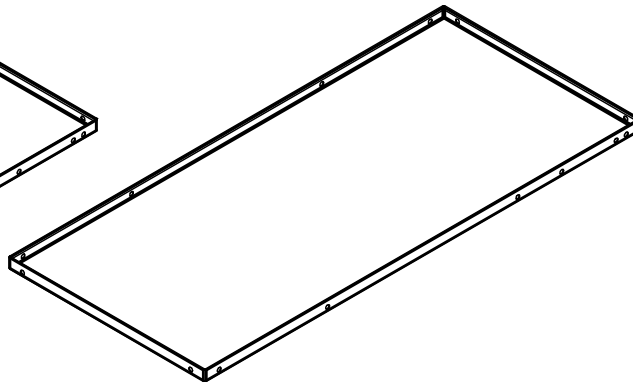
ITEM	QTY	PART NUMBER	DESCRIPTION
A	2 TOTAL	037-0XX	BUNK PANS (VARIES FOR RAILS AND/OR LADDER VERSIONS)
B	24	026-003	1/2-13 HEX NUT ZN PLT
C	24	025-004	1/2 LOCK WASHER ZN PLT
D	24	026-005	1/2-13x1"L CARRAGE BOLT ZN PLT
E	24	025-008	1/2 FLAT WASHER ZN PLT
F	4	036-212	BUNK LEG KD
G	1	036-250	LADDER
H	2	036-251	BUNK SAFETY RAIL
A-1	1	037-057	BUNK PAN
A-2	1	037-058	BUNK PAN W-SAFETY RAIL HOLES

#### TOOLS NEEDED

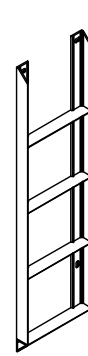
3/4" Combination Wrench



A-1



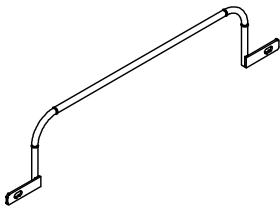
A-2



G



F



H



B



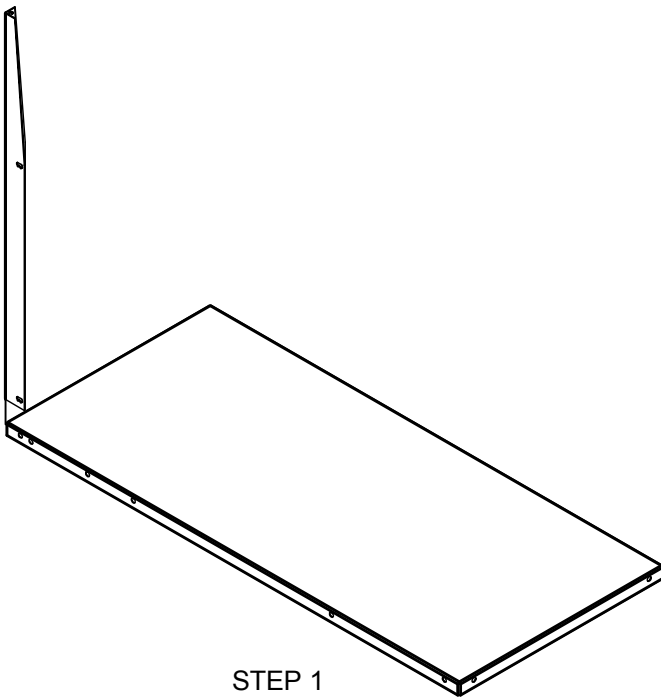
C



D

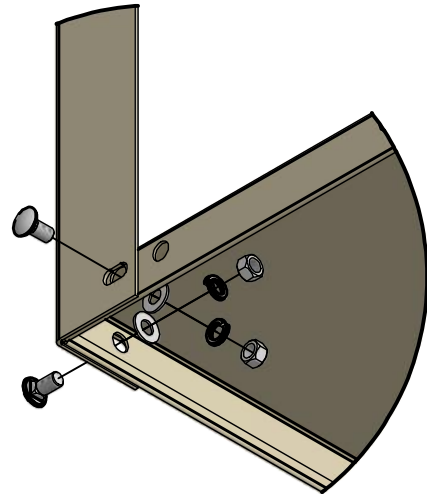


E



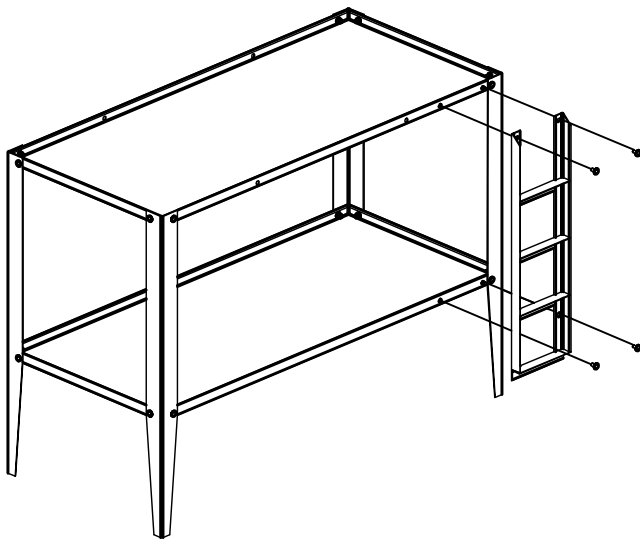
**STEP 1**

Place Bed Pan (A) upside down on a soft, protective flat surface.  
Place a Leg (F) upside down over the outer corner of the Bed Pan (A).



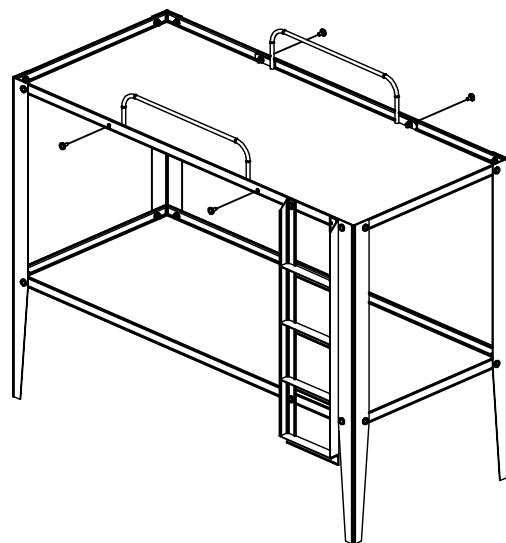
**STEP 2**

Insert the 1/2-13x1"L Carrage Bolt (D) from the outside through the rectangular hole in the Leg (F) and through the Bed Pan (A). Place the Flat Washer (E), Lock Washer (C), and the Nut (B) on the bolt and tighten by hand. Repeat for adjacent hole. Repeat per each Leg.



**STEP 3**

With all legs and pans in place, place the bed in an upright position. Fully tighten all leg hardware. Secure the ladder (G) to the side of the bed in the open locations using (4) 1/2-13x1"L Carrage Bolt (D), Flat Washer (E), Lock Washer (C), and the Nut (B) on the bolt and tighten by hand. Fully tighten all ladder hardware.



**STEP 4**

Secure the Bunk Safety Rail (H) to the Top Bed Pan using (2) 1/2-13x1"L Carrage Bolt (D), Flat Washer (E), Lock Washer (C), and the Nut (B) per Rail. Repeat for other side.