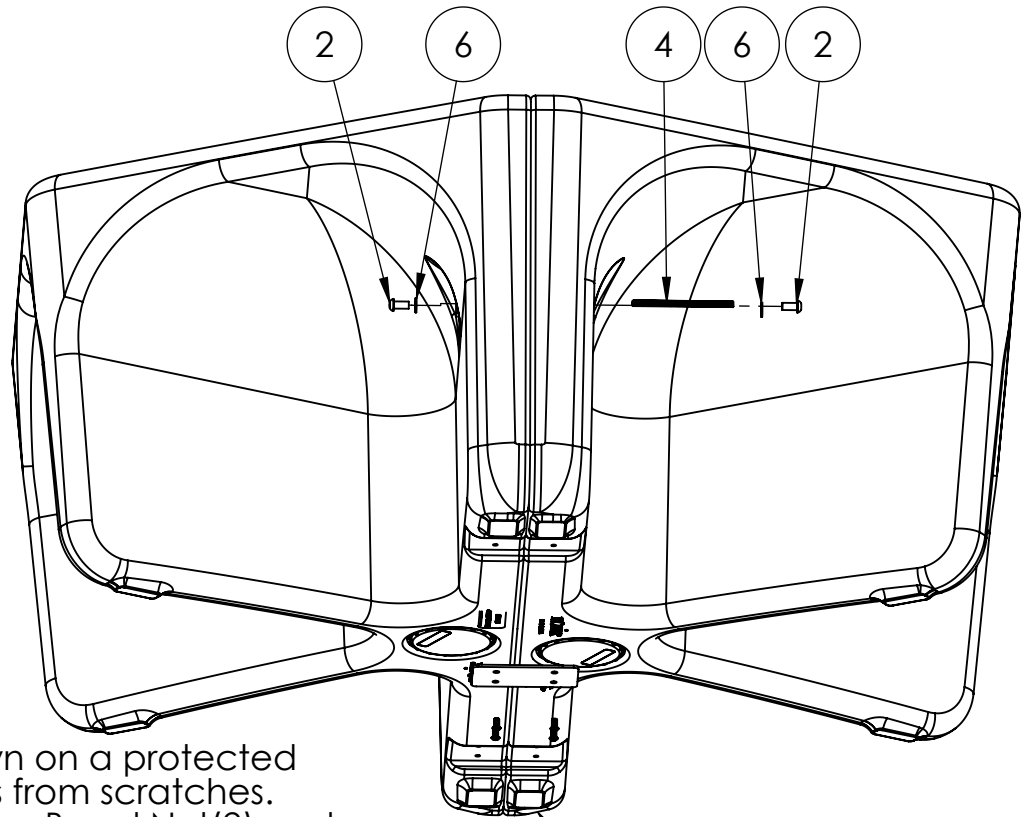


Assembly Notes: Norix is not responsible for any damage due to improper installation. If your shipment does not match the parts list, please contact Norix Customer Service at 800-234-4900. Norix reserves the right to modify design specifications at any time without an obligation to owners of previously sold products.

PARTS LIST					Tools Needed
ITEM NO.	QTY	REV	PART NUMBER	DESCRIPTION	Low RPM Variable Speed Drill
1	2	A	EL52-XXX	KIDS, ELLE TABLE (Not Part of the Kit)	Driver Holder
2	4	A	029-021	Nut, Barrel 5/16"-18 X 0.75"L, BH, Pin in Torx® T45, SST	Pin in Torx® Driver T-27
3	2	A	011-042	Plate,Ganging, ELLE Table	Pin in Torx® Driver T-45 Qty: 2
4	2	A	029-073	Threaded Rod, 5/16"-18 x 5.25", ZINC	
5	8	A	021-052	Screw, Machine, 1/4"-20 X .5", BH, Pin in Torx®, T-27, Zinc, Thd. Lk.	
6	4	A	026-006	Washer, Flat, 11/32 ID x 3/4" OD x 0.050 THK 18-8 SST	



1. Turn tables upside down on a protected surface to protect tops from scratches.
2. Assemble Rod(4)with the Barrel Nut(2) and install with the Washer(6) thru Tables holes as shown.
3. Install Barrel Nut(2) and Washer(6) from opposite side of the Rod(4) using Drivers T-45 from both ends. Repeat on second location.
4. Using 8 Screws(5), attach Ganging Brackets(3)to units in locations as shown. Do not overtighten screws.

