

Assembly Notes: Norix is not responsible for any damage due to improper installation. If your shipment does not match the parts list, please contact Norix Customer Service at 800-234-4900. Norix reserves the right to modify design specifications at any time without an obligation to owners of previously sold products.

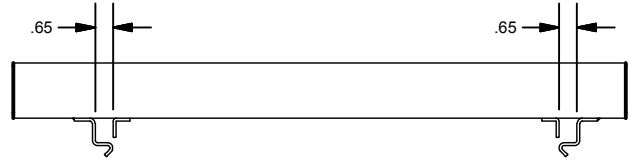
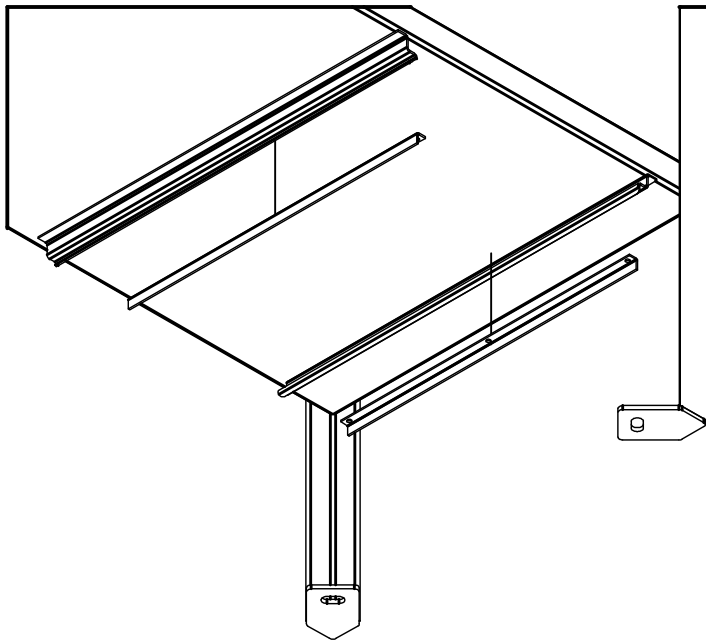
Parts List

| ITEM | QTY | PART NUMBER | DESCRIPTION                                |
|------|-----|-------------|--|
| 1    | 2   | 036-274     | PROP BOX RAIL, CITADEL, BOLT-ON, L-BRACKET |
| 2    | 6   | 021-080     | SCREW 1/4-20 x 3/4, BH, PIN IN TORX        |
| 3    | 6   | 025-018     | NUT, HEX, 1/4-20                           |
| 4    | 1   | 071-001     | PIN IN TORX BIT, T-27                      |

Tools Needed  
Drill

STEP 1:

Place the Bracket Rails to the location of the prop box rails as shown.  
Place the brackets .65" from prop box rails



STEP 2:

Mark and drill hole locations for each L-Bracket.  
Secure the L-Bracket using (3) 1/4-20 Hardware Screw and Nut for each L-Bracket.

