

Assembly Notes: Norix is not responsible for any damage due to improper installation. If your shipment does not match the parts list, please contact Norix Customer Service at 800-234-4900.
Norix reserves the right to modify design specifications at any time without an obligation to owners of previously sold products.

Parts List

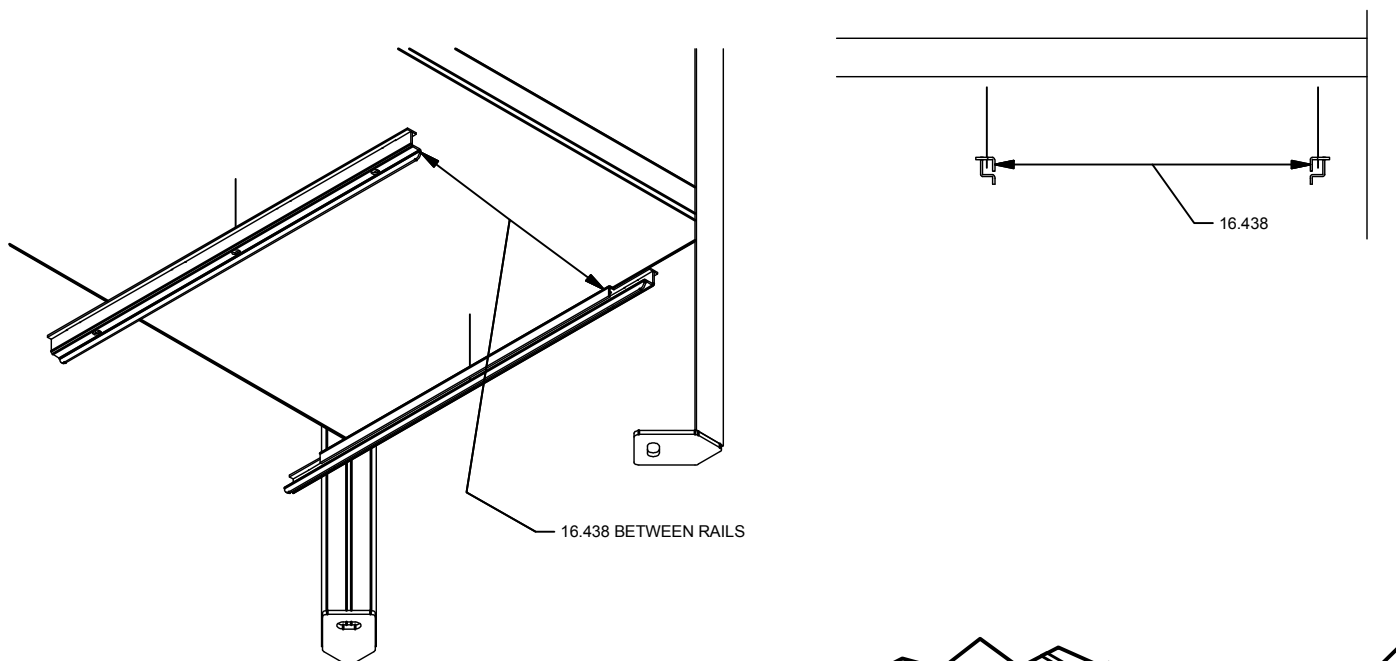
ITEM	QTY	PART NUMBER	DESCRIPTION
1	2	036-272	PROP BOX RAIL, CITADEL, BOLT-ON
2	6	021-080	SCREW 1/4-20 x 3/4, BH, PIN IN TORX
3	6	025-018	NUT, HEX, 1/4-20
4	1	071-001	PIN IN TORX BIT, T-27

Tools Needed

Drill

STEP 1:

Locate the Citadel Rails to the desired location on the bottom pan of the bunk.
Place the rails at a distance of 16.438 between each other as shown.
Mark the Rails to drill hole locations



STEP 2:

Mark the rails to the bed pan through the holes.
Drill the holes and secure with (3) 1/4-20 Hardware Screw and Nuts for each rail.

