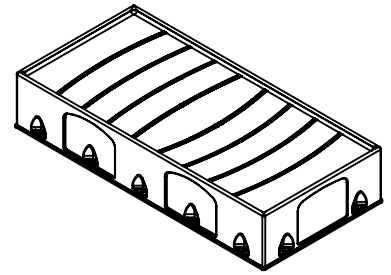


Restraint Ring Kit Without Glide Enclosure Plate Assembly Instructions

**Model Number
ATN101-XXX.3**



www.norix.com • TEL 800 234-4900

Assembly Notes: Norix is not responsible for any damage due to improper installation. If your shipment does not match the parts list, please contact Norix Customer Service at 800-234-4900. Norix reserves the right to modify design specifications at any time without an obligation to owners of previously sold products.

PARTS LIST

ITEM NO.	PART NUMBER	QTY	DESCRIPTION
A	001-350	1	Plate, Enclosure, Attenda Bed, 84.50" X 40.50"
B	029-132	6	Ring, Restraint, Solid Bolt Down
C	029-021	14	Nut, Barrel 5/16"-18 X 0.75"L, BH, Pin in Torx® T45, SST
D	021-165	6	Screw, Machine, 5/16-18 X 1-1/2", FH, Pin in Torx® T-40, SS
E	025-009	8	Washer, Flat, 3/8"
F	021-002	8	Screw, Machine 5/16"-18 X 1-1/4" L, FH, Pin in Torx® T40, Black Oxide, Thd. Lk.

Tools Needed

T40 Driver
T45 Driver
82° Countersink Bit
1 1/32" Drill Bit

1. Place the bed on a protected surface, with the bottom facing upward. Place the Enclosure Plate (**A**) on the bed. Mark 14 positions through the holes in each of the pockets.

2. Using 1 1/32" Drill Bit, drill the 14 holes in the Enclosure Plate. Then use the Countersink Bit to Countersink the holes, (Do not drill the countersink too deep).

NOTE: The Restraint Rings can be located in any position on the bed, however, recommended locations are shown in (**Fig.1**)

3. Install 6 Restraint Rings (**B**) in the pockets. Top of rings should point outward as shown. Install 6 barrel nuts (**C**) through the restraint rings.

4. Assemblies **without** Restraint Rings are to be located at positions indicated by "A" (**Fig.1**). Restraint Ring assemblies should be located at "B" positions.

5. Assemble the components in the sequence shown in (**Fig.2**).

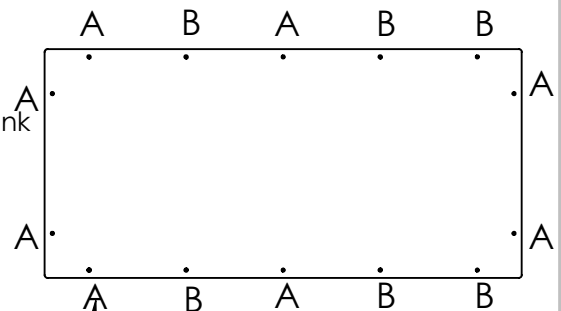


Fig.1

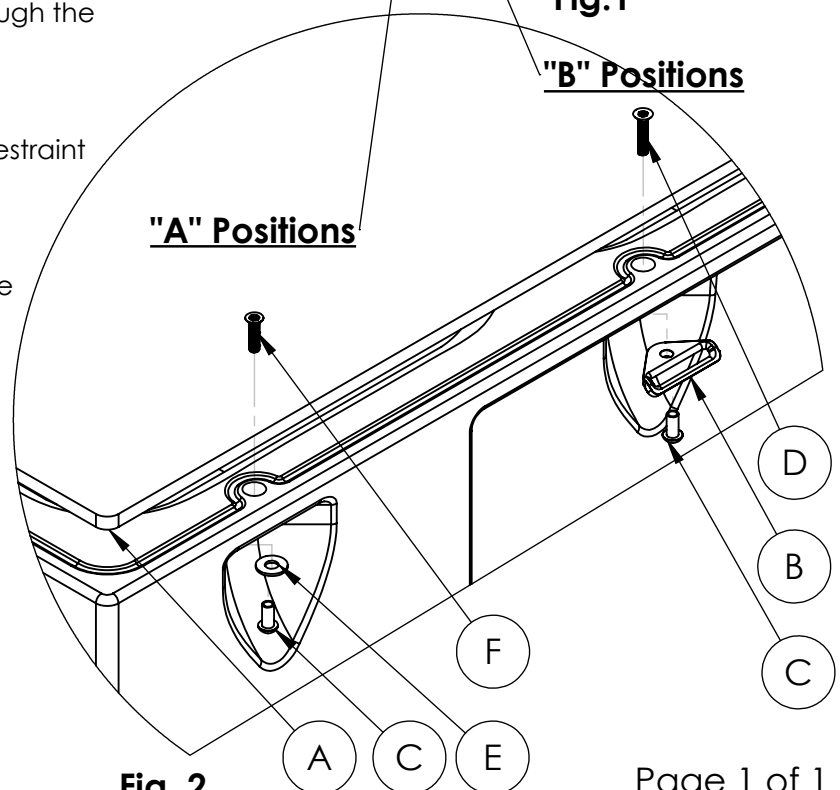


Fig. 2

