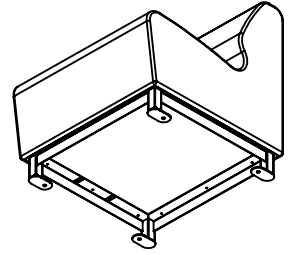


Hondo Nuevo Steel Base with Bolt Down Tabs Assembly Instructions

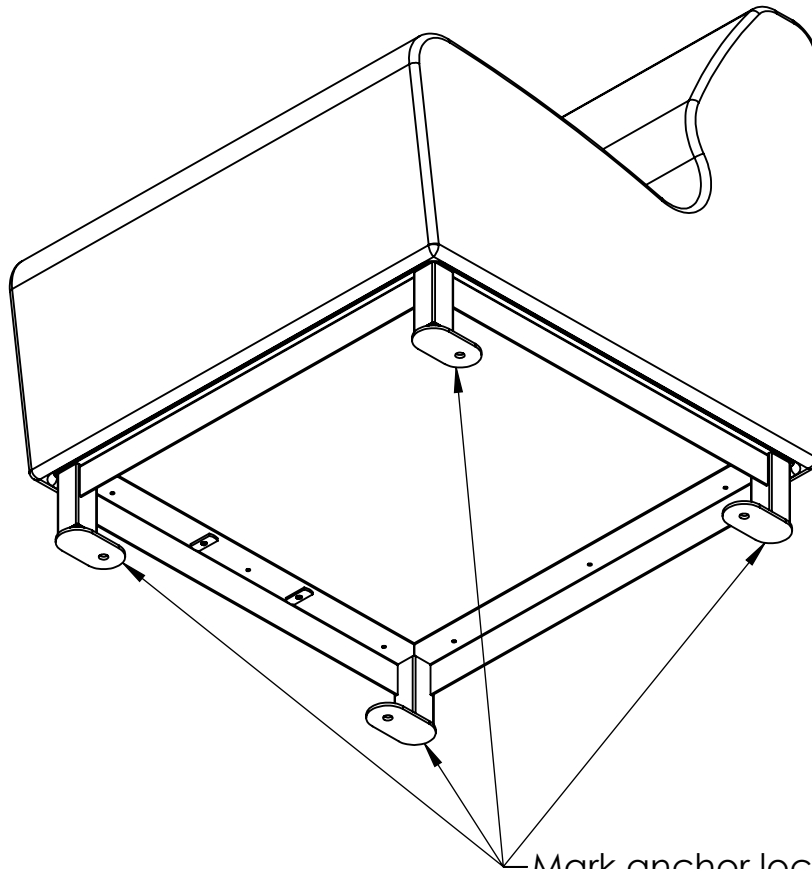


Model Number
 HN800-YYY, HN855-800-XXB
 HN805L-YYY, HN855-800-XXB
 HN805R-YYY, HN855-800-XXB
 HN810-YYY, HN855-800-XXB
 HN815-YYY, HN855-800-XXB
 HN820-YYY, HN855-820-XXB
 HN825-YYY, HN855-825-XXB
 HN830-YYY, HN855-830-XXB
 HN835-YYY, HN855-835-XXB
 HN845-YYY, HN855-845-XXB
 HN880-YYY, HN855-800-XXB
 HN885-YYY, HN855-885-XXB

Assembly Notes: Norix is not responsible for any damage due to improper installation. If your shipment does not match the parts list, please contact Norix Customer Service at 800-234-4900. Norix reserves the right to modify design specifications at any time without an obligation to owners of previously sold products.

Parts List				Tools Needed
ITEM	QTY.	PART NUMBER	DESCRIPTION	Low RPM Variable Speed Drill
A	4*	029-040	Plate, Bolt Down, Gibraltar Bengal Silver	Anchors

* HN845-XXX, HN855-845-XXX-XXB Round Ottoman has quantity 5



Mark anchor locations on floor and secure the chair to the floor with the bolt down tabs using mounting hardware.