

www.norix.com • TEL 800 234-4900

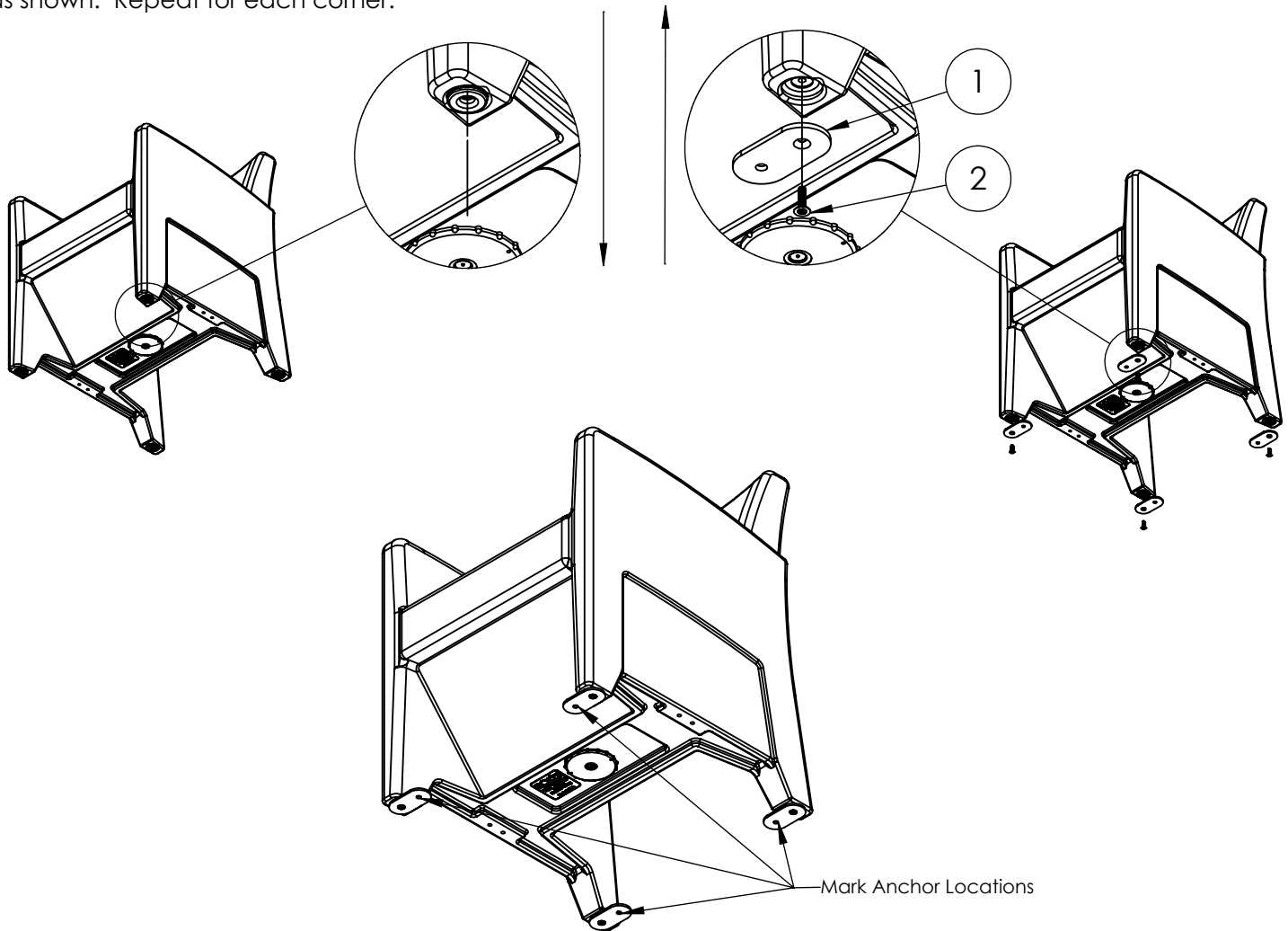
Assembly Notes: Norix is not responsible for any damage due to improper installation. If your shipment does not match the parts list, please contact Norix Customer Service at 800-234-4900. Norix reserves the right to modify design specifications at any time without an obligation to owners of previously sold products.

PARTS LIST

ITEM NO.	QTY.	PART NUMBER	DESCRIPTION
1	4	029-047	Forte External Bolt Down Tab
2	4	021-077	Screw, Machine 1/4"-20 X 1", FH, Pin in Torx® T-27, Zinc
3	1	071-001	Pin in Torx Bit, T-27
5	1	FC600-XXX	Chair, Pull Up, w Arms

STEP 1: Remove mounted glide and pin in torx screw from bottom of chair as shown. Repeat for each corner.

STEP 2: Insert Bolt Down tab with 1/4"-20 Flat Head screw as shown. Repeat for each corner.



STEP 3: Mark Anchor Locations to the floor and secure the chair to the floor with the bolt down tabs using mounting hardware.